



# STAINLESS STEEL QSR CHICKEN CUTTING STATION

MS-183-CS

Item #: \_\_\_\_\_ Qty #: \_\_\_\_\_

Model #: \_\_\_\_\_

Project #: \_\_\_\_\_

### FEATURES:

- Three 15" x 12" Yellow Poly-Vance Cutting Boards
- Cutting Board Storage Rack.
- Stainless Steel Undershelf & Mid-Shelf.
- Removable Stainless Steel Knife Rack.

### CONSTRUCTION:

- Cutting Board Retaining Pins welded to table top.
- Two 6" x 12" Cut-Outs for 1/3 Size Food Pans (By Others).
- Unit Ships Set-Up.

### MATERIAL:

- TOP:** 16 Gauge Stainless Steel Type "300" Series.
- SHELF:** Stainless steel undershelf.
- LEGS:** 1 5/8" Diameter Stainless Steel Legs With Gussets.
- Four 5" Swivel Casters (2 with brakes).

Shown with Vollrath Bins #9036420 (Not Included)



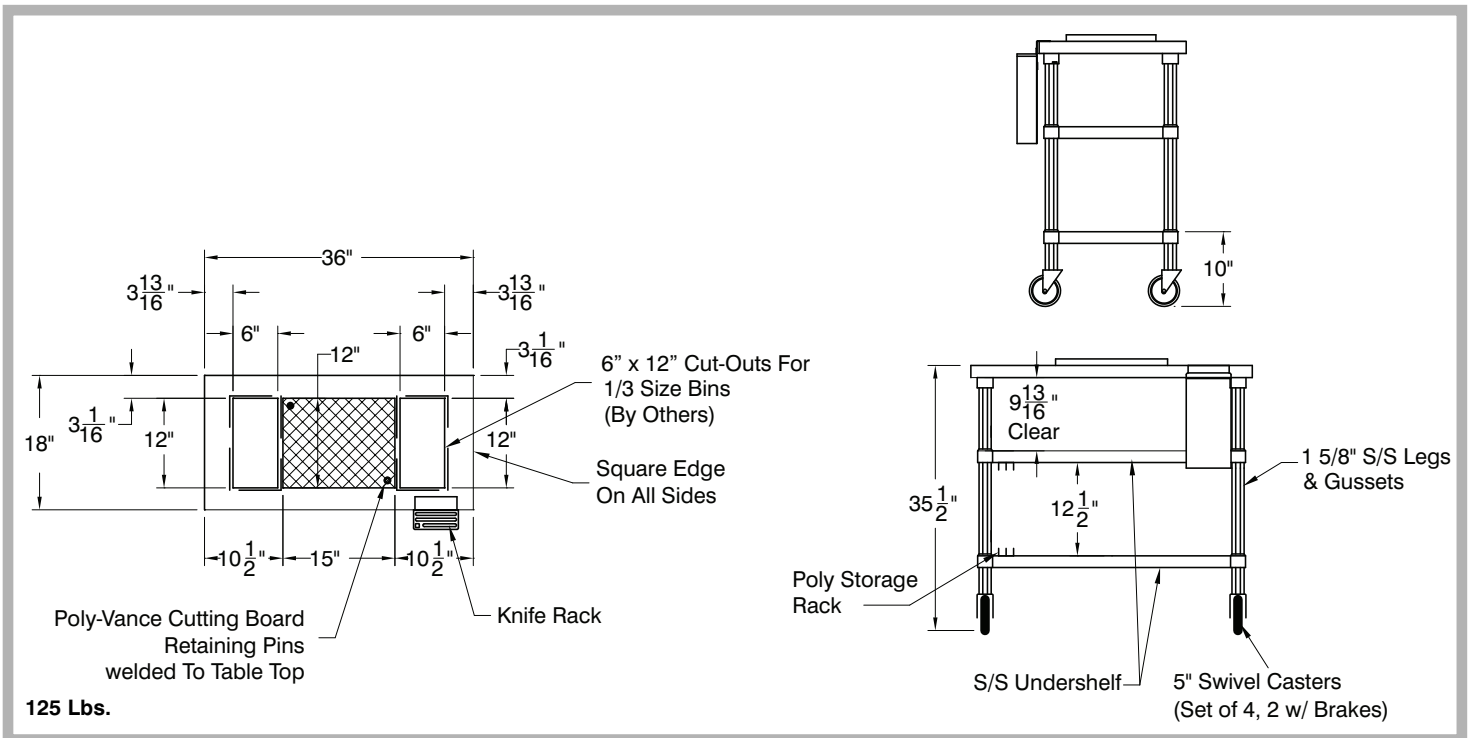
Knife Rack Included



## DETAILS and SPECIFICATIONS

TOL ± .500"

ALL DIMENSIONS ARE TYPICAL



Customer Service Available To Assist You **1-800-645-3166** 8:30 am - 8:00 pm E.S.T.  
 Email Orders To: [customer@advancetabco.com](mailto:customer@advancetabco.com). For Smart Fabrication™ Quotes, Email To: [smartfab@advancetabco.com](mailto:smartfab@advancetabco.com) or Fax To: 631-586-2933

**NEW YORK**  
 Fax: (631) 242-6900

**GEORGIA**  
 Fax: (770) 775-5625

**TEXAS**  
 Fax: (972) 932-4795

**NEVADA**  
 Fax: (775) 972-1578