

Item #: _____ **Qty #:** _____
Model #: _____
Project #: _____



SR Series with
Optional Casters



BSR Series

FEATURES:

SR Series - TOP features 3" raised edge. Stainless steel cross bracing all sides.

BSR Series - TOP features 3" raised edge. Stainless steel cross bracing 3 sides.
10 1/2" backsplash standard with tile edge.

Optional casters and drain hole available.

CONSTRUCTION:

SR SERIES: TIG welded. Welded side cross bracing, bolted front and rear cross bracing.

BSR SERIES: All TIG welded. Welded side cross bracing, bolted rear cross bracing.

MATERIAL:

TOP: 16 gauge stainless steel type "304" series.

LEGS and GUSSETS: Stainless steel legs & gussets.

3"
Raised
Edge

10 1/2"
Backsplash

MODEL #	Length	Width	Wt.
SR-48	48"	30"	63 lbs.
SR-60	60"	30"	77 lbs.
SR-72	72"	30"	83 lbs.
SR-96	96"	30"	90 lbs.
BSR-48	48"	30"	69 lbs.
BSR-60	60"	30"	84 lbs.
BSR-72	72"	30"	91 lbs.
BSR-96	96"	30"	99 lbs.

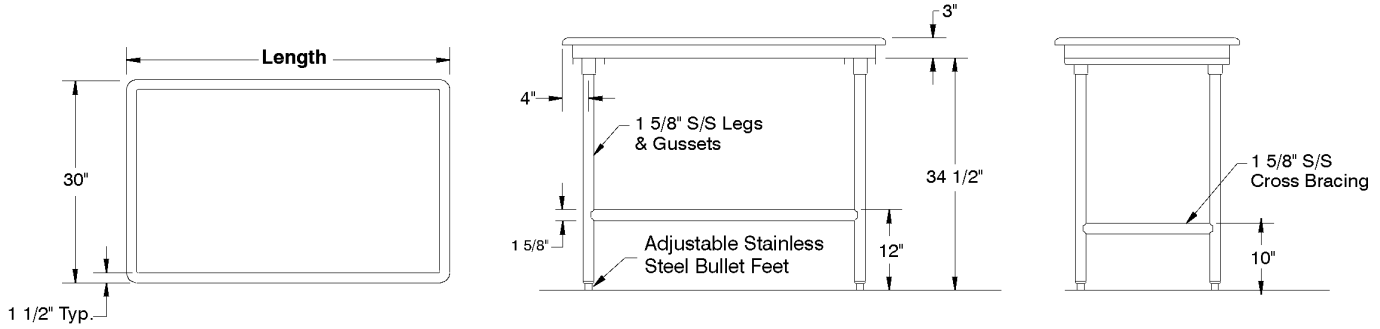
ACCESSORIES	Model #	Qty
Drain Hole	DTA-40	
Casters	TA-255	

DIMENSIONS and SPECIFICATIONS

TOL ± .500"

ALL DIMENSIONS ARE TYPICAL

SR Series



BSR Series

