

|                  |              |
|------------------|--------------|
| Item #: _____    | Qty #: _____ |
| Model #: _____   |              |
| Project #: _____ |              |

## EVERYDAY BUFFET CASH REGISTER STAND



**FEATURES:**

- Locking drawer
- 4" Swivel Casters, with two brakes
- Open storage area
- Access hole for power cord

**MATERIAL:**

**TOP:** 20 gauge #304 stainless steel welded frame  
**BODY:** 20 gauge steel available in matte black vinyl clad

| Model  | Length | Width | Height | Wt (lbs.) | Cu. Ft. |
|--------|--------|-------|--------|-----------|---------|
| BCRS-B | 22.7"  | 22.7" | 34.4"  | 140       | 19      |

**OPTIONAL STATIONARY END SHELF**

- 18 gauge stainless steel
- 16 gauge stainless steel brackets



| Model  | Gauge  | Length | Width | Height w/Bracket | Wt (lbs.) | Cu. Ft. |
|--------|--------|--------|-------|------------------|-----------|---------|
| TES-1  | 16 GA. | 22.5"  | 10"   | 8"               | 15        | 3       |
| TES-1D | 10 GA. | 22.5"  | 10"   | 8"               | 15        | 3       |

## EVERYDAY BUFFET SILVERWARE STAND



**FEATURES:**

- Supplied with 12 plastic silverware cups.
- 4" Swivel Casters, with two brakes.

**MATERIAL:**

**BODY:** 20 gauge steel available in matte black vinyl clad  
**TRAY SHELF:** 20 gauge steel available in matte black vinyl clad

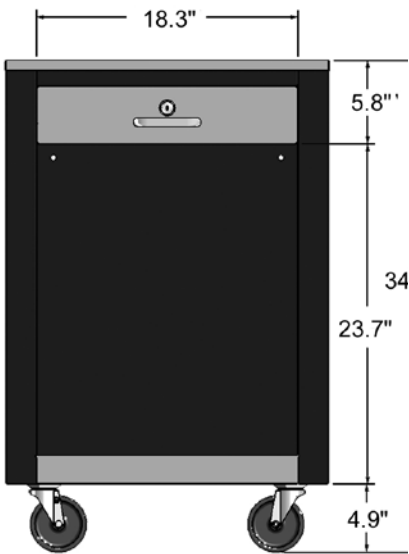
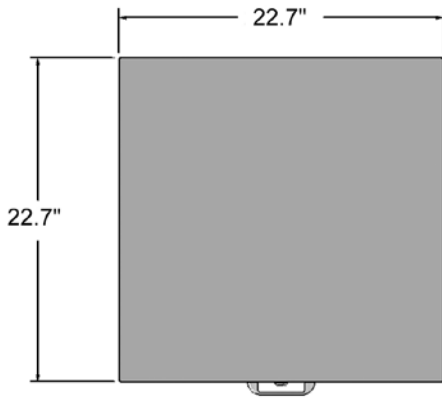
| Model  | Length  | Width | Height | Wt (lbs.) | Cu. Ft. |
|--------|---------|-------|--------|-----------|---------|
| BSWS-B | 31.875" | 22.4" | 40"    | 160       | 28      |

# DIMENSIONS and SPECIFICATIONS

TOL ± .125"

ALL DIMENSIONS ARE TYPICAL

## BCRS-B



## BSWS-B

