



16 GAUGE STAINLESS STEEL

TWO STATION WALL MOUNTED SQUARE CORNER SERVICE SINK WITH TUBULAR SUPPORTS

KNEE OPERATED



KNEE-VALVE OPERATED

Item #: _____ Qty #: _____
 Model #: _____
 Project #: _____



FEATURES:

- 8 1/2" high backsplash.
- 8" sink bowl depth.
- Two stainless steel "Z" brackets.
- One **K-6** 3 1/2" rear basket drain.
- Two tubular stainless steel support brackets that allow full clearance underneath.

Knee Operated: Includes two **7-PS-32** knee valves and two **K-121** spouts.

Single holes provided.

CONSTRUCTION:

- All TIG welded.
- Welded areas blended to match adjacent surfaces and to a satin finish.
- Die formed tubular wall brackets.

MATERIAL:

- All 16 gauge type "304" stainless steel.
- 1 5/8" tubular "304" stainless steel wall brackets.
- Stainless steel gussets.

MECHANICAL:

Single faucet holes.

Model #	Length	# of Spouts	# of Wall Supports	Wt.	Cu. Ft.
19-18-40KV	40"	2	2	82 lbs.	15

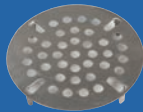
[Click Here For Install Guide](#)



SERVICE SINK ACCESSORIES & MODIFICATIONS



K-121



K-411



K-13

Model	Description	QTY:
K-13	Stainless Steel Soap Dispenser	_____
K-13WMS	Factory Install Bracket to Backsplash for K-13 Soap Dispenser (Includes K-13 Soap Dispenser)	_____
K-121	Single Hole, Splash Mounted 3-1/2" Gooseneck Spout	_____
K-411	Strainer Plate for 3-1/2" Drain	_____
K-508	Special Sizing Charge (Larger Size Cut Down To Smaller Size)	_____
TA-19	Adjustable Stainless Steel Flanged Bullet Foot	_____

= Ships UPS

FLOOR STANDING LEGS MODIFICATION

Converts Wall Mounted 19-18 SERIES Sink To A Free Standing Floor Unit.

- Stainless Steel Legs with Flanged Feet
- Sides and Rear Cross Bracing

Model #	Fits Sink Length	QTY:
FS-CB-40	40"	_____



Standard Faucets conform to NSF 61 Standard 9 and compliance to AB 1953 Standards.



Customer Service Available To Assist You **1-800-645-3166** 8:30 am - 8:00 pm E.S.T.

For Orders & Customer Service:

Email: customer@advancetabco.com or Fax: 631-242-6900

For Smart Fabrication™ Quotes:

Email: smartfab@advancetabco.com or Fax: 631-586-2933

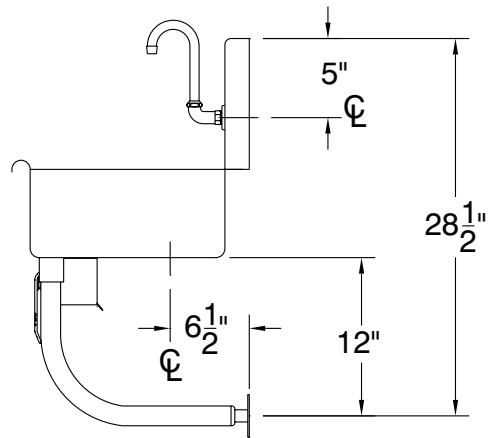
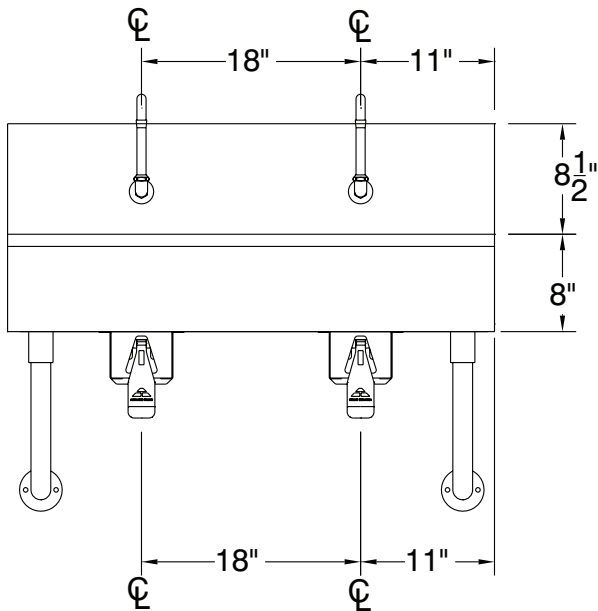
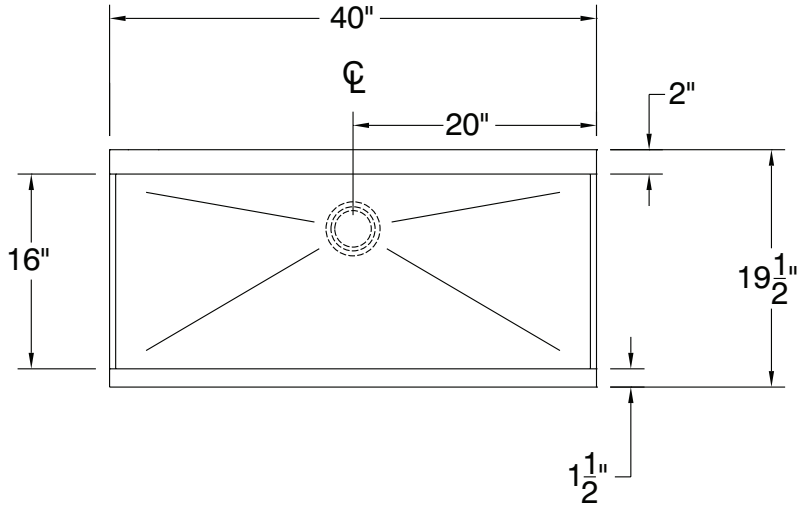
REF-JJ

DETAILS and SPECIFICATIONS

TOL ± .500"

ALL DIMENSIONS ARE TYPICAL

19-18-40KV



82 Lbs.

