



14 GAUGE STAINLESS STEEL

ONE STATION WALL MOUNTED SERVICE SINK WITH TUBULAR SUPPORTS

KNEE OPERATED



KNEE-VALVE OPERATED

| | | | |
|------------|-------|--------|-------|
| Item #: | _____ | Qty #: | _____ |
| Model #: | _____ | | |
| Project #: | _____ | | |



FEATURES:

- 8 1/2" high backsplash.
- 8" sink bowl depth.
- One stainless steel "Z" bracket supplied each unit.
- One K-6 3 1/2" rear basket drain.
- Two tubular stainless steel support brackets that allow full clearance underneath.

Knee Operated: Includes one 7-PS-32 knee valve with one K-121 spout.

CONSTRUCTION:

- All TIG welded.
- Welded areas blended to match adjacent surfaces and to a satin finish.
- Die formed tubular wall brackets.

MATERIAL:

- All 14 gauge type "304" stainless steel.
- 1 5/8" tubular "304" stainless steel wall brackets.
- Stainless steel gussets.

MECHANICAL:

- Single faucet holes.

| Model # | Length | # of Spouts | # of Wall Supports | Wt. | Cu. Ft. |
|--------------|--------|-------------|--------------------|---------|---------|
| FS-WM-2721KV | 27" | 1 | 2 | 77 lbs. | 13 |

[Click Here For Install Guide](#)



MULTI-STATION ACCESSORIES & REPLACEMENT PARTS

| Model | Description | QTY: |
|---------|---|-------|
| 7-PS-32 | Knee Valve Assembly | _____ |
| K-6 | 3 1/2" Drain (1 1/2" I.P.S.) | _____ |
| K-06 | Splash Mount Faucet Mounting Kit | _____ |
| K-13 | Stainless Steel Soap Dispenser (Wall Mount Only) | _____ |
| K-121 | Single Hole, Splash Mounted 3-1/2" Gooseneck Spout | _____ |
| K-411 | Strainer Plate for 3-1/2" Drain | _____ |
| K-508 | Special Sizing Charge (<i>Larger Size Cut Down To Smaller Size</i>) | _____ |
| TA-19 | Adjustable Stainless Steel Flanged Bullet Foot | _____ |



K-121



7-PS-32



K-13



K-411



K-06



TA-19

= Ships UPS

Standard Faucets conform to NSF 61 Standard 9 and compliance to AB 1953 Standards.

WARNING: Equipment that include faucets on this page may contain a chemical known to the State of California to cause cancer, birth defects or other reproductive harm.



Customer Service Available To Assist You 1-800-645-3166 8:30 am - 8:00 pm E.S.T.

For Orders & Customer Service:

Email: customer@advancetabco.com or Fax: 631-242-6900

For Smart Fabrication™ Quotes:

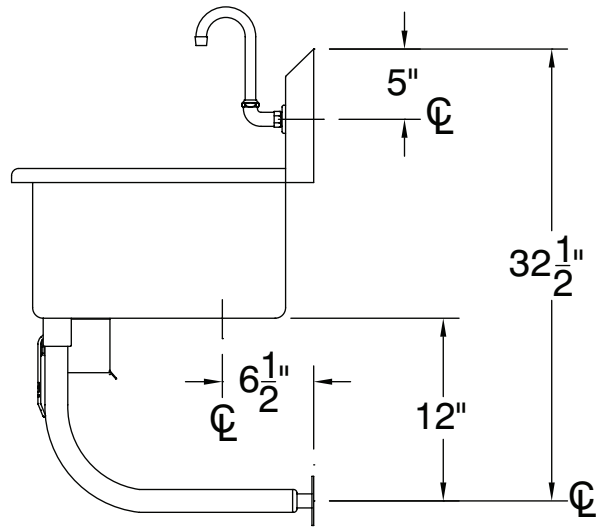
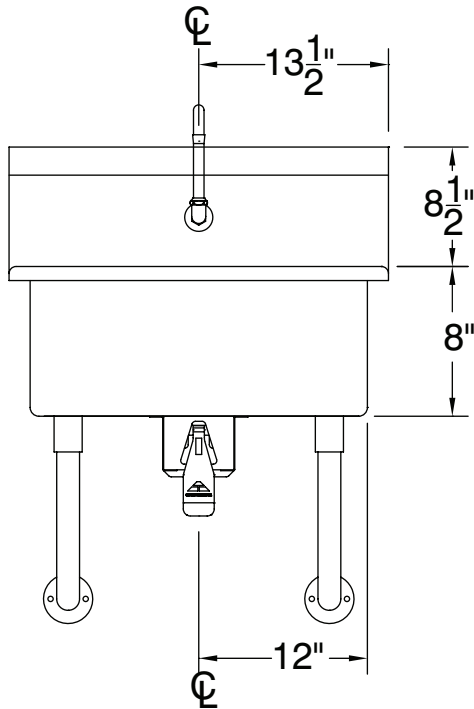
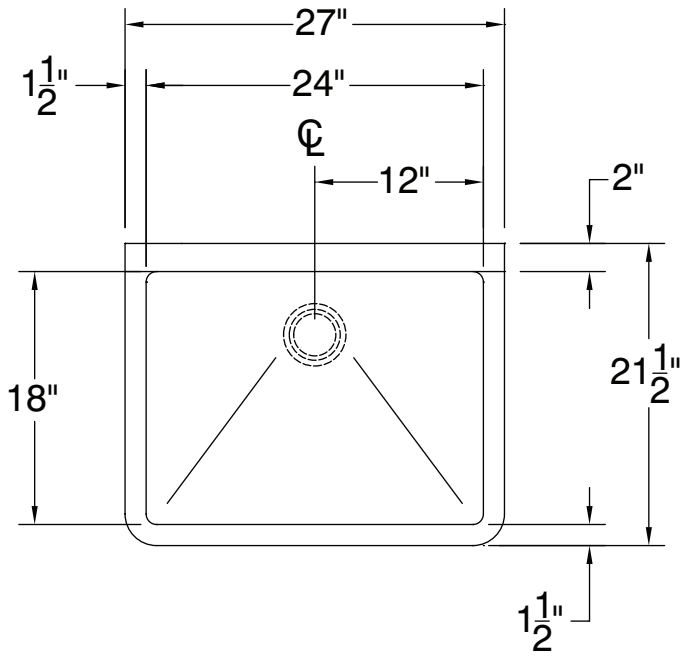
Email: smartfab@advancetabco.com or Fax: 631-586-2933

DETAILS and SPECIFICATIONS

TOL ± .500"

ALL DIMENSIONS ARE TYPICAL

FS-WM-2721KV



77 Lbs.

