

Medallion Series



Quality Commercial Cooking Equipment

HD17-2-0, HD17-2-M

17" WIDE OPEN BURNER RANGE attachment with storage base, or as modular top

Standard Features

- Stainless steel front and sides STANDARD
- 6" (152mm) chrome steel adjustable legs
- Adjustable stainless steel front rail 6-1/16" (154mm) to 7-5/8" (194mm)
- Two (2), 37,000 BTU (10.8 kW), "Lift-Off" burners
- Removable cast-iron grates over each burner
- One single fully protected standing pilot covering each front and rear burner section
- 1-1/4" NPT front manifold
- One-piece aluminized steel drip tray covering both burners
- Storage base interior is aluminized steel
- One year limited parts & labor warranty, (USA and Canada only)

Optional Features

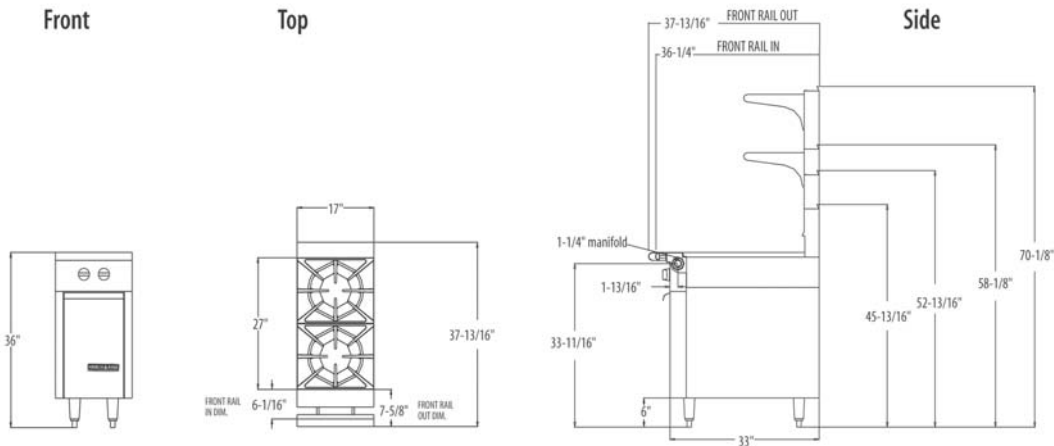
- Stainless steel back rear panel
- Stainless steel common front rail up to 68" (1728mm) wide, (No additional charge)
- Rear gas connection, 3/4" or 1" NPT on selected models
- End caps and cover (no charge)- Must specify
- Polyurethane non-marking swivel casters (2) w/front brakes
- Storage base shelf-aluminized or stainless steel
- Single deck stainless steel high shelf
- Double deck stainless steel high shelf
- 10" (254 mm), 17" (432mm) 22.375" (568mm) 34.375" (873mm) high stainless steel backguard
- Stainless steel vertical flue riser, 13"W x 34.375"H, (330mm x 873mm)



Short Form Specifications:

Heavy-Duty "Medallion Series" gas 17" two burner attachment with storage base, Model : HD17-2-0 manufactured by American Range. Storage base to include removable hinged door. To have stainless steel front and sides with 6" chrome legs (unless otherwise specified). Two (2) 37,000 Btu/hr each Lift-Off cast iron burners. Heavy duty cast iron grate per burner section. Unit to be 17" (432mm) wide and 38" (965mm) deep with front rail fully extended. Adjustable front rail maximum of 7-5/8" (194mm). Specify Natural gas (NG) or Liquid Propane gas (LP). UL, CUL, NSF, MEA listed. (also available as a Modular Top-Model: HD17-2-M).

17" WIDE OPEN BURNER RANGE attachment with storage base, or as modular top



Exterior Dimensions

Model #	HD17-2-0	HD17-2-M
Width	17"/432mm	17"/432mm
Depth	38"/965mm (Rail out Dim)	38"/965mm
Height w/NSF legs	36"/914mm	36"/914mm(w/stand)
Height Less NSF Legs	30"/762mm	8"/203mm (less stand)

Storage Base Interior

Width	14"/356mm	N/A
Depth	30"/762mm	N/A
Height	20"/508mm	N/A
Unit Weight (LB/KG)	215/98 N/A	105/48

INPUT-Btu/hr (N-Gas)	HD17-2-0	KW Eq	HD17-2-M	kW Equivalent
O/T Burner (37,000BTUea)	74,000	21.68	74,000	21.68
TOTAL	74,000	21.68	74,000	21.68

0= Storage Base M= Modular Top

Installation Notes:

Combustible Wall Clearances

Sides: 6" (152mm)

Back: 6" (152mm)

For reduced clearances, refer to ANSI Z223.1/NFPA #54 and CAN/CGA B149.

Entry Clearance:

Crated: 22 1/4" (565mm)

Uncrated: 17 1/4" (438mm)

Manifold Pressure:

Natural 6 W.C. (15 mbar)

Propane 10 W.C. (25 mbar)

NOTE: Data applies only to North America.

Gas Input Ratings shown here are for installations up to 2,000 ft. (610m) above sea level. Specify altitudes over 2,000 ft.

Gas Input Ratings shown here are for installations up to 2,000 ft. (610m) above sea level. Specify altitudes over 2,000 ft.

Commercial cooking equipment requires an adequate ventilation system. For additional information, refer to the National Fire Protection Association's standard NFPA96 "Vapor Removal from Cooking Equipment." (NOTE: For North America only)

Please specify gas type when ordering.



Because of continuing product improvement these specifications are subject to change without notice.