

MODEL: BL612-CF
COOLER 35°

Arctic[®]
WALK-IN COOLERS AND FREEZERS
BY ARCTIC INDUSTRIES, INC.
9731 N.E. 114th BLDG. 1846 FLORIDA 33178
PHONE (305) 983-9881

GENERAL NOTE
NOTICE TO GENERAL CONTRACTOR AND SUB-CONTRACTOR. UNIT QUARRY TILE OR CONCRETE WEARING FLOORS, THE METAL FACINGS MAY BE SUSCEPTIBLE TO STAINING DUE TO EXCESSIVE MOISTURE CREATED BY HYDRATION OF CONCRETE-TYPE MATERIALS. IT IS ESSENTIAL THAT EACH ROOM BE PROPERLY VENTILATED. SPECIAL PRECAUTIONS MUST BE TAKEN WHEN USING MURIATIC ACID DUE TO EFFECTS OF ACID FUMES ON ALUMINUM AND STAINLESS STEEL. IN ADDITION, METAL SURFACES MUST BE PROTECTED FROM LIME AND OTHER CHEMICALS FOUND IN CONCRETE BY PRODUCTS. PETROLEUM BASED PROTECTION MUST BE APPLIED BETWEEN CONCRETE AND THE METAL SURFACES. (LIQUID TAR, BRUSHED OR SPRAYED ABOVE THE CONCRETE CONTACT LINE, HEAVY EPOXY PAINT, 8 MIL POLYETHYLENE H.D. BLACK DOUBLE LAYERED, 30 LB. ASPHALT IMPREGNATED ROOFING PAPER).

CONSTRUCTION

N.S.F. CONSTRUCTION
Project Name:
ARCTIC INDUSTRIES, INC
BLUE LINE

P.O.#:
APPLICATION:
MODEL: BL612-CF

NOTES:

FLOOR MUST BE LEVEL SMOOTH AND CLEAR OF OBSTRUCTIONS TO ACCEPT WALK-IN PANELS. ALSO, THERE MUST BE A MINIMUM OF 2" CLEARANCE AROUND ALL SIDES OF THE WALK-IN UNIT PROPER CIRCULATION.
VERIFY ALL DIMENSIONS AND SPECIFICATIONS BEUNITE APPROVING DRAWINGS

IMPORTANT: ALLOW 2 FEET CLEARANCE ABOVE UNIT TO REMOVE TOP PANEL AND TO ALLOW SERVICE ACCESS.

STRUCTURE MUST BE NOT MASKED TO BUILDING CEILING, BLOCKING AIR FLOW TO UNIT.

SIGNED APPROVED PRINT MUST BE REC'D. B/4 FAB.

APPROVED AS DRAWN

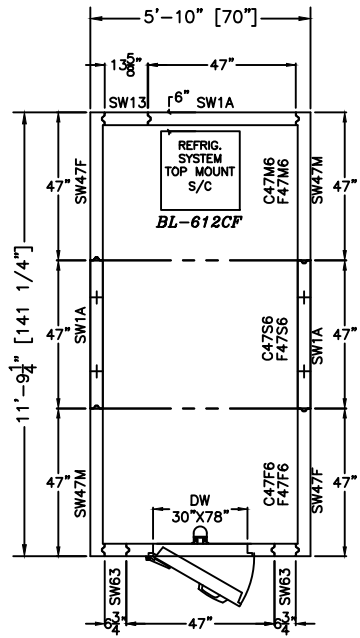
SIGNED: _____

DATE: _____

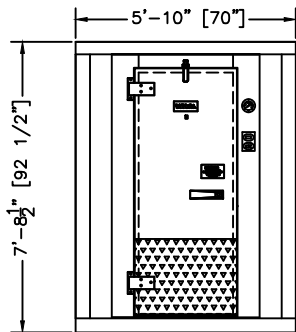
Drawn By: R.PUPO	Checked By: ARCTIC
Scale: NOT TO SCALE	CREATED: 2014

DRW No: _____

BL612-CF

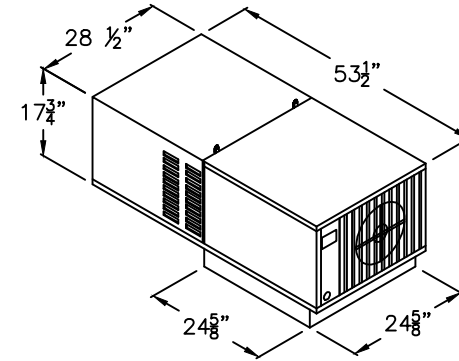
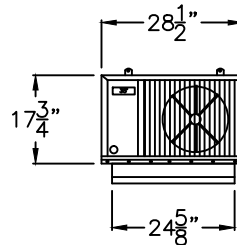


PLAN VIEW

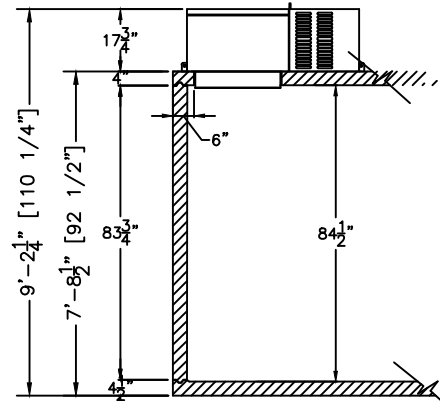


ELEVATION

SHOWN W/ RIGHT HINGE
(LEFT HINGE AVAILABLE)



REFRIGERATION UNIT



WALLS & TOP MOUNT
S/C SECTION

PRODUCT SPECIFICATIONS	
MODEL:	BL612-CF
INTERIOR/EXTERIOR FINISH	MILL EMB. ACRYLUME
COMPT ELECTRICAL (VOLTS/Hz/PH)	115/60/1
COMPT AMP.	0.8 Amp
REFRIG. SYSTEM ELECT (VOLTS/Hz/PH)	208-230/60/1
REFRIG. SYSTEM AMP.	12.0 Amp
CORD + NEMA 6-20P PLUG	
REFRIG. SYSTEM WEIGHT.	220 Lbs
TOTAL SHIP WGT APPROX. (2 PALLETS)	830 Lbs
TOTAL SHIP CUBIC FEET APPROX.	201 CuFt



Energy Independence & Security Act