



Antimicrobial Hand Sinks with Knee Valve Package

Hand Sinks



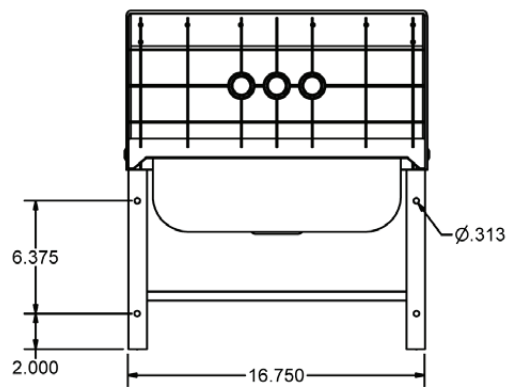
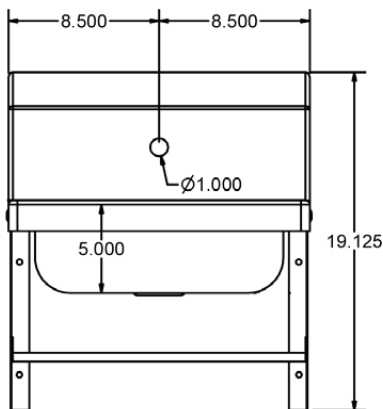
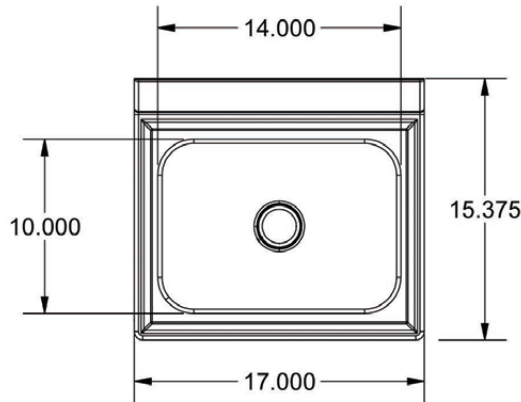
Features:

- Integral baffles offer extra rigidity and support
- Textured finish resists scratches and abrasions
- 100% Recyclable
- Patent Pending

Material:

- Polypropylene
- Infused with an Inorganic Antimicrobial Agent

MODEL	Included Faucet	Faucet Holes	Bowl Size	UNIT SIZE (l x w)
APHS-W1410-BKK	Knee Valve Brackets	1	14" x 10" x 5"	15 3/8" x 17"
APHS-W1410-BKKPG	BKKVSGS-G	1	14" x 10" x 5"	15 3/8" x 17"



PRODUCT DATA SHEET

BK RESOURCES

