



Three Compartment Dish Table with S/S Legs & End Bracing - Right Side

Dish Tables



Use your smart phone to scan the above QR code to visit our website:
www.bk-resources.com



Certifications:



Features:

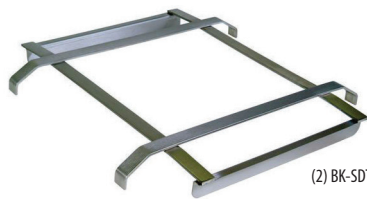
- 20" x 20" x 12" (d) Bowls
- 1 5/8" Rolled Edge
- (3) BKDR-4 Basket Drains Included
- (2) BK-SDTS Tray Guide
- (1) BK-PRB-5 Pre-Rinse Basket

Material:

- T-304 18 ga. Stainless Steel Top & Bowl
- Stainless Steel Legs & Bracing
- Adjustable S/S Over Plastic Bullet Feet

Options:

- Left Side or Right Side Units Available
- Lever Drain
- Faucet & Pre-Rinse Sold Separately

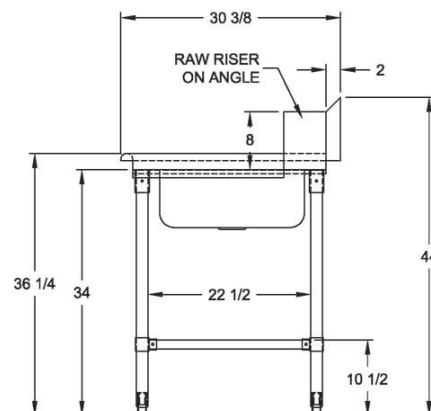
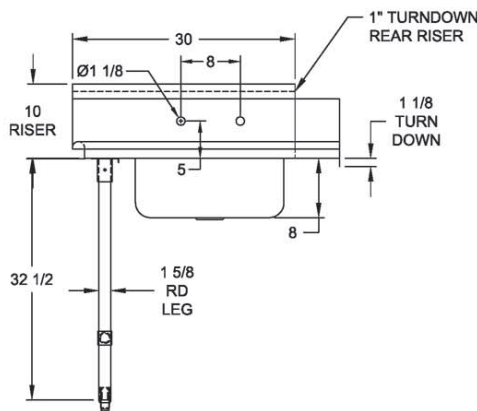
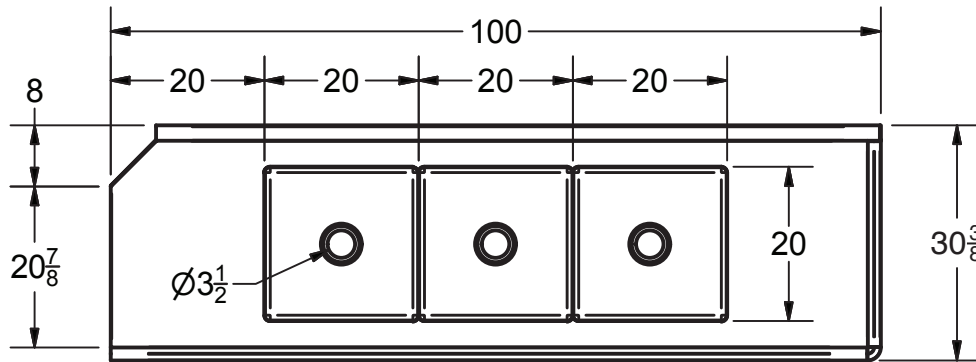


(2) BK-SDTS



BK-PRB-5

Part Number	Overall Dim. (l x w x h)
BK-SDT-3-20-12-20RS	100" x 30 1/2" x 44"



PRODUCT DATA SHEET

BK RESOURCES

