



BEVERAGE-AIR

Project: _____

AIA#

Item: _____

Location: _____

SIS#

Approved: _____

BDC DIPPING CABINET FREEZER

BDC-HC Dipping Cabinet 12-Flavors

Hydrocarbon Series

MODELS:

BDC-HC-12

BDC-HC Dipping Cabinet Freezer: Dipping Cabinet



BDC-HC-12

**3 Year Parts/Labor Warranty
Additional 2 Year Compressor Warranty**

CABINET CONSTRUCTION

- Galvanized metal cabinet with powder coated painted surface
- Interior easy to clean per-painted steel
- Full electronic control
- Glass lids are LowE tempered sliding glass lids with lock and keys standard
- 2" Heavy-duty casters allow easy and fast movement
- Drain plug for easy cleaning
- Lexan sneeze guard
- BDC-12 includes (6) ring tub holds with space for (12) 3 gallon ice cream containers, lower level below containers provides extra container storage of ten(10) 3 gallon ice cream containers
- Cold wall refrigeration system, maintains 0° to -10°F

OPTIONS & ACCESSORIES

- Dip Well

REFRIGERATION SYSTEM

- Refrigeration system uses R290 refrigerant to comply with all environmental concerns
- Maintenance free condenser
- Triple access air flow compressor compartment



3779 Champion Blvd., Winston-Salem, NC 27105
1-888-845-9800 Fax: 1-336-245-6453
Beverage-Air.com sales@bevair.com

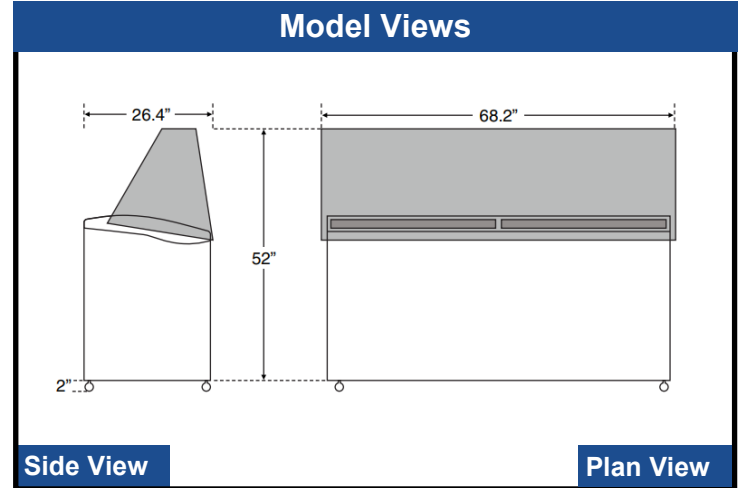


BEVERAGE-AIR

MODEL	BDC-HC-12
EXTERNAL DIMENSIONAL	
Width Overall	68 1/5"
Depth Overall	26 2/5"
Height Overall	52"
INTERNAL DIMENSIONAL	
NET Capacity (cubic ft.)	20.9
Capacity- Top holding area	(12) 3 Gallon tubs
Capacity- Bottom holding area	(10) 3 Gallon tubs
ELECTRICAL DATA	
Full Load Amperes 120/60/1	5.2
REFRIGERATION DATA	
Horsepower	1/3
Capacity (kw-hr/day)	3.78
WEIGHT DATA	
Gross Weight (kgs)	280 lbs
Height - Crated	43 2/5
Width - Crated	69 1/2"
Depth - Crated	27 7/10"

Dipping Cabinet Freezer

Models: BDC-HC-12



ELECTRICAL CONNECTION



115/60/1
NEMA-5-15P

Units pre-wired at
factory and include
6.5' long cord and plug



an Ali Group Company



The Spirit of Excellence

3779 Champion Blvd., Winston-Salem, NC 27105
1-888-845-9800 Fax: 1-336-245-6453
Beverage-Air.com sales@bevair.com