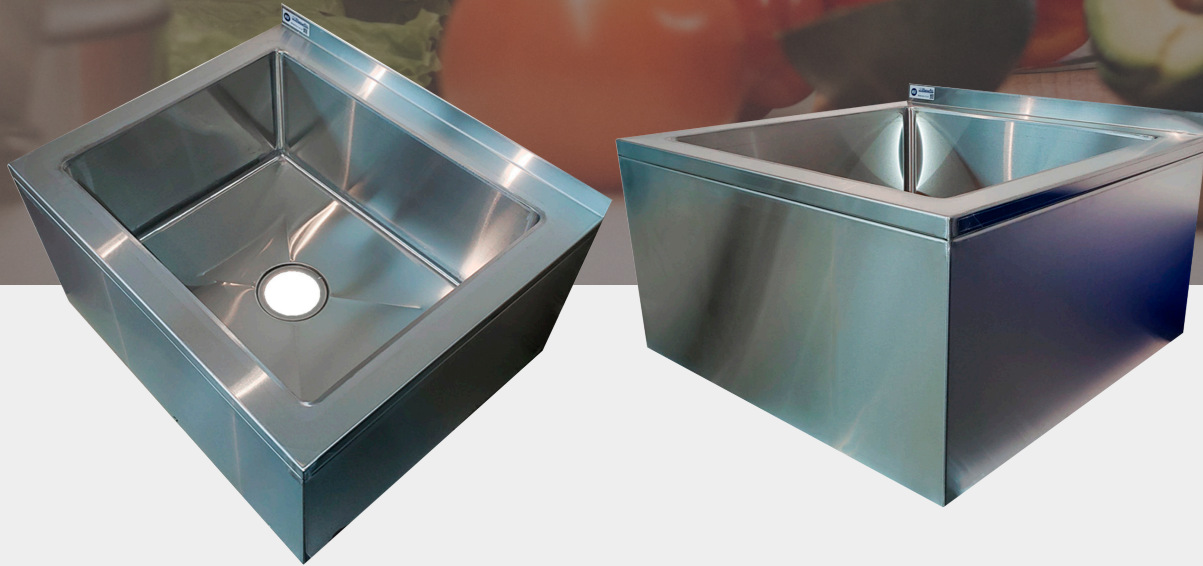


Blueair by
BLUENIX

MODEL BSM2024-10-16 / BSM2424-10-16
MOP SINK



STANDARD FEATURES

- All Mop sinks are constructed using 16 Gauge, 304 grade stainless steel
- Made using “high wall” sides. This eliminates spillover when dumping full Mop buckets
- Maximum capacity using minimum space is achieved with a rectangular design

Blueair by
BLUENIX



blueairfse.com



orders@blueairfse.com



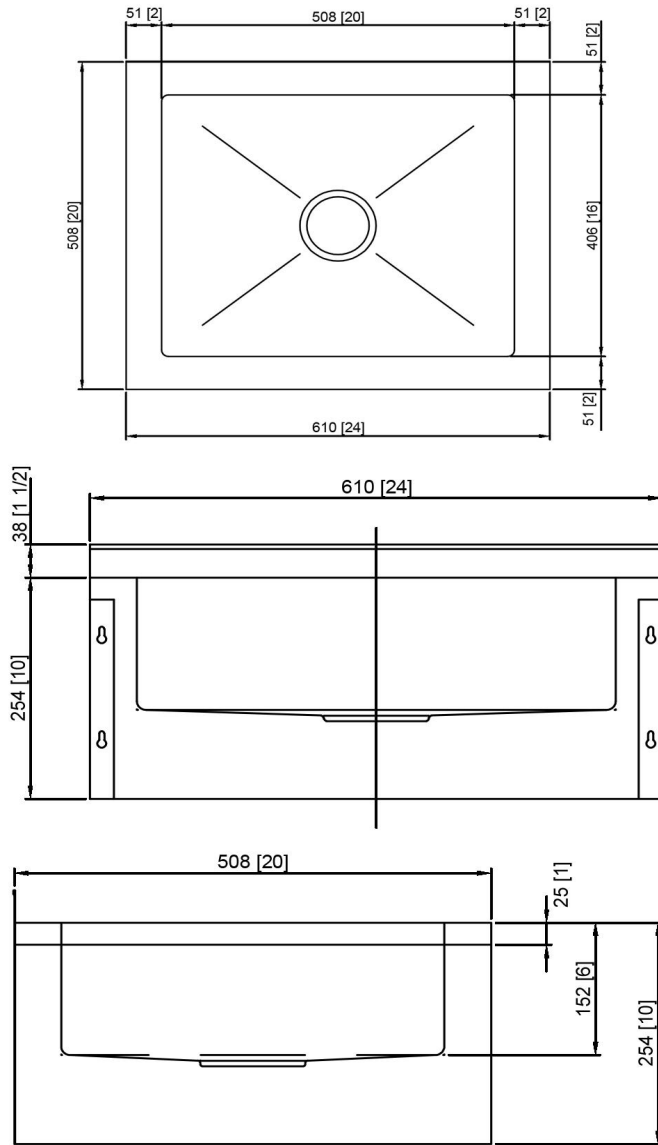
1.886.677.8500



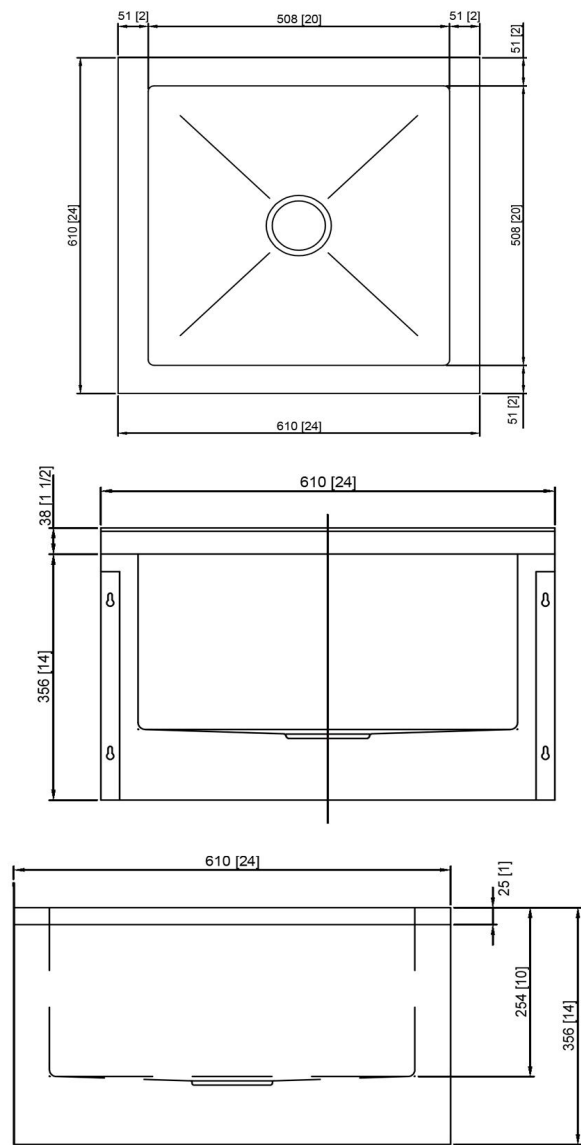
223 W. Rosecrans Ave., CA 90248
T: 310.808.0102

9 W. Shelton Terrace #A, Hillside, NJ 07205
T: 908-688-0970

BSM2024-10-16



BSM2424-10-16



PRODUCT SPECIFICATION

Model	Overall Size (inches/mm)			Overall Size (inches/mm)			Net Weight (lbs/kg)	Ship Weight (lbs/kg)
	L	D	H	L	D	H		
BSM2024-10-16	20(508)	24(610)	10(254)	16(406)	20(508)	6(152)	36(16.3)	40(18.1)
BSM2424-10-16	24(610)	24(610)	14(356)	20(508)	20(508)	10(254)	41(18.6)	45(20.4)

BLUE AIR has right to change specifications without further notice.



blueairfse.com



orders@blueairfse.com



1.886.677.8500



223 W. Rosecrans Ave., CA 90248
T: 310.808.0102

9 W. Shelton Terrace #A, Hillside, NJ 07205
T: 908-688-0970