

# EQHP-TWIN108SP

24.1" x 5.4" x 23.3"  
(61.2cm x 13.7cm x 59.2cm)



- Pre-filter offers exceptional sediment holding capacity and particle reduction to 0.2 microns
- Sanitary quick connect head uses encapsulated cartridge design allowing for fast and easy change-outs with a 1/4 turn while minimizing the possibility of leakage and contamination
- Certified by NSF to Standard 53 for cyst reduction
- Incorporates multi-zone pharmaceutical grade pleated nylon pre-filter
- Filter cartridges incorporate carbon block media and require no pre-activation
- Consistent brewed coffee and tea from water with reduced sediment and chlorine taste and odor
- Auxiliary inlet gauge port allows optional monitoring of differential water pressure
- 108,000 gallon capacity based on system's chlorine reduction rating
- Two separate streams, both with reduced sediment and chlorine taste and odor, exit the manifold. One stream has scale-inhibition media added from a dedicated cartridge to reduce the ability of lime scale to precipitate. The other stream supplies cold beverage dispensers and has no added scale inhibitor.
- System includes a two-cartridge manifold with built-in pressure gauge, inlet water shut off valve, outlet check valve, mounting brackets, two cartridge filters and a dedicated external scale-inhibition cartridge.

## Agency:

## Specifications

**Product #:** 39000.0013

**Cartridge Type:** Sanitary Quick Connect

## Additional Features

## Capacity

Service Flow Rate	Capacity	Micron Rating
10.0 gal/min (37.9 L/min)	108000 gal. (408817.2 L) @0 GPG of hardness	0.2

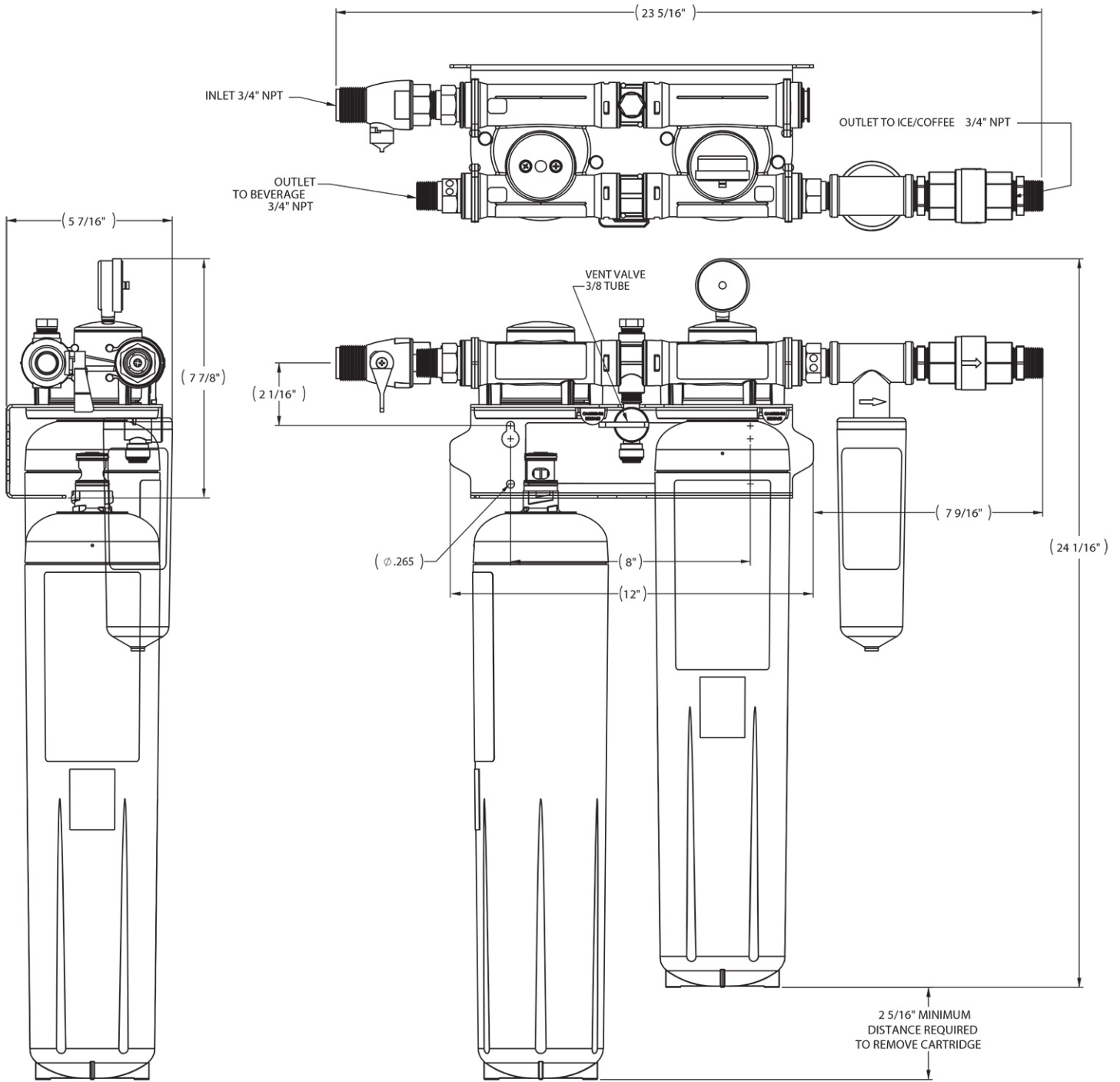
## Plumbing Requirements

Max Operating Pressure	Max Operating Temperature	Inlet Connection	Outlet Connection
125 psi (862 kPa)	100°F(38°C)	3/4 IN NPT	3/4 IN NPT



BUNN® reserves the right to change specifications and product design without notice. Such revisions do not entitle the buyer to corresponding changes, improvements, additions or replacements for previously purchased equipment. For most current specifications and other info visit [bunn.com](http://bunn.com).

Created on:  
06/05/2017



	Unit			Shipping				
	Width	Height	Depth	Width	Height	Depth	Weight	Volume
English	23.3 in.	24.1 in.	5.4 in.	-	-	-	20.000 lbs	-
Metric	59.2 cm	61.2 cm	13.7 cm	-	-	-	9.072 kgs	-



BUNN® reserves the right to change specifications and product design without notice. Such revisions do not entitle the buyer to corresponding changes, improvements, additions or replacements for previously purchased equipment. For most current specifications and other info visit [bunn.com](http://bunn.com).

Created on:  
06/05/2017

# Related Products & Accessories:EQHP-TWIN108SP(39000.0013)



TWIN-SP MANF, WATER  
FLTR EQHP

Product #: 39000.0106



CARTRIDGE,  
EQHP-54CRTG

Product #: 39000.1006



CARTRIDGE, SCALE-  
PRO

Product #: 39000.1010



BUNN® reserves the right to change specifications and product design without notice. Such revisions do not entitle the buyer to corresponding changes, improvements, additions or replacements for previously purchased equipment. For most current specifications and other info visit [bunn.com](http://bunn.com).

Created on:  
06/05/2017