

ITB-Low Profile, 120V

29.5" x 21.8" x 11.6"
(74.9cm x 55.4cm x 29.5cm)



- Sleek, modernized design language on the brewer, with rounded angles on the corners and trunk
- Digital readout displays in English, Spanish, or French ---for easier programming and control--- and can show either 'Standard' or Metric measurements. Digital readout also shows machine status, and targeted advertising messages can be programmed for display.
- BUNN Infusion Series technology allows for multiple recipes from one footprint --- with three brew buttons and two batch sizes
- Easy pulse display allows for simplified programming of pulse routine
- Compact, low-profile styling to accommodate a variety of spaces
- Energy-saver mode reduces tank temperature during idle periods
- Exclusive Peak Extraction™ Sprayhead is multi-directional with a 7-hole design to ensure ultimate uniformity of extraction
- Electronic funnel lock prevents removal of each brew funnel until drip- through is complete
- USB programming capable
- Brew counter keeps track of how many batches are brewed
- Pre-infusion and pulse brew for maximum flavor extraction. Cold brew lockout & digital temperature control further ensure top-notch brewing.
- Includes overlay kit for customization of brewer interface

Agency:



Specifications

Product #: 52000.0101

Water Access: Plumbed

Finish: Stainless

Additional Features

Electrical & Capacity

Volts	Amps	Watts	Cord Attached	Plug Type	8oz cups/hr 236ml cups/hr	Input H ₂ O Temp.	Phase	# Wires plus Ground	Hertz
120	14	1700	Yes	NEMA 5-15P	336	60°F (15.5°C)	1	2	60

Plumbing Requirements

PSI	kPa	Fitting Supplied	Water Flow Required (GPM)
20-90	138-621	1/4" Male Flare Fitting	1.25

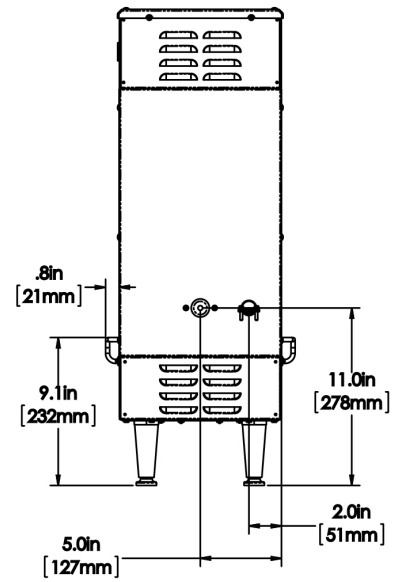
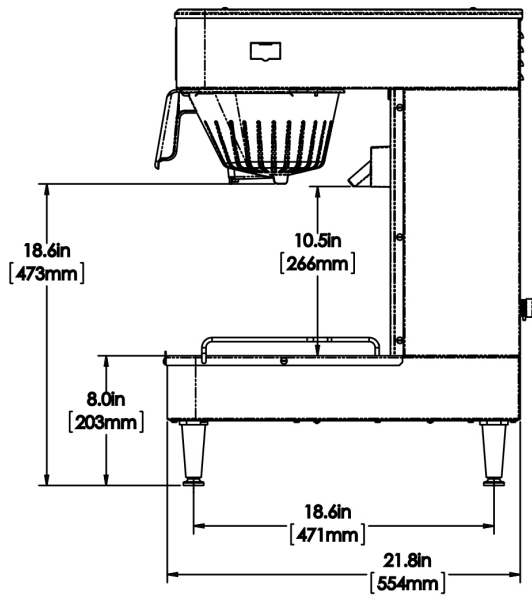
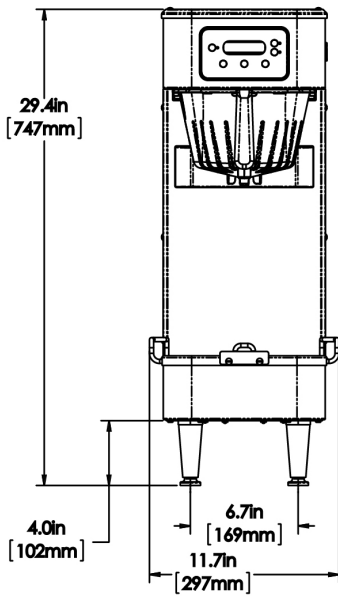
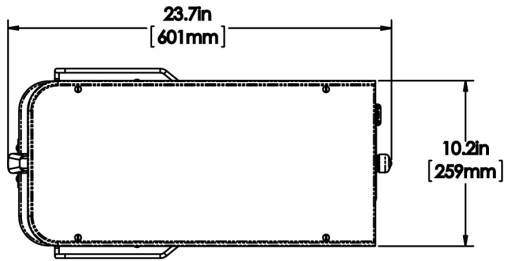
CAD Drawings

2D	Revit	KLC



BUNN® reserves the right to change specifications and product design without notice. Such revisions do not entitle the buyer to corresponding changes, improvements, additions or replacements for previously purchased equipment. For most current specifications and other info visit bunn.com.

Created on:
08/09/2018



	Unit			Shipping				
	Width	Height	Depth	Width	Height	Depth	Weight	Volume
English	11.6 in.	29.5 in.	21.8 in.	13.1 in. in.	33.5 in. in.	26.3 in. in.	36.150 lbs	6.679 ft ³
Metric	29.5 cm	74.9 cm	55.4 cm	33.3 cm cm	85.1 cm cm	66.8 cm cm	16.398 kgs	0.189 m ³



BUNN® reserves the right to change specifications and product design without notice. Such revisions do not entitle the buyer to corresponding changes, improvements, additions or replacements for previously purchased equipment. For most current specifications and other info visit bunn.com.

Created on:
08/09/2018

Related Products & Accessories:ITB-Low Profile, 120V(52000.0101)



FILTERS TEA/SYS2
500PK/1 50/CL

Product #: 20100.0000



WATER FILTER, EQHP-
TEA

Product #: 39000.0007



CARTRIDGE, EQHP-
TEACRTG

Product #: 39000.1007

FUNNEL ASSY, SMART
COFFEE BLK-CLEARED

Product #: 53463.0008



BUNN® reserves the right to change specifications and product design without notice. Such revisions do not entitle the buyer to corresponding changes, improvements, additions or replacements for previously purchased equipment. For most current specifications and other info visit bunn.com.

Created on:
08/09/2018

Serving & Holding Options: ITB-Low Profile, 120V(52000.0101)



TDO-3.5,LP RSVR BREW
THRU

Product #:37100.0000



BUNN® reserves the right to change specifications and product design without notice. Such revisions do not entitle the buyer to corresponding changes, improvements, additions or replacements for previously purchased equipment. For most current specifications and other info visit bunn.com.

Created on:
08/09/2018