

# EQ-17-TL (12)

12.4" x 3.0" x 2.5"  
(31.5cm x 7.6cm x 6.4cm)



- 5 micron graded density filtration for long life
- Designed for one or two 1/2 gallon coffee brewers; also works well with BUNN HW2 hot water machines
- Provides 1,500gal of superior sediment, taste/odor and chlorine reduction @ .5 gpm
- Ensures quality coffee and long-term performance of 1 to 5 pot brewers (up to 15 lbs. of coffee/week)
- Sanitary quick change filter head allows cartridge replacements in seconds, and in any position
- Scale inhibitor provides six months of scale reduction and guards against corrosion

Agency:



## Specifications

Product #: 30200.0000

Cartridge Type: Quick Change

## Additional Features

### Capacity

Service Flow Rate	Capacity	Micron Rating
-	1500 gal. (5678.0 L) @0 GPG of hardness	-

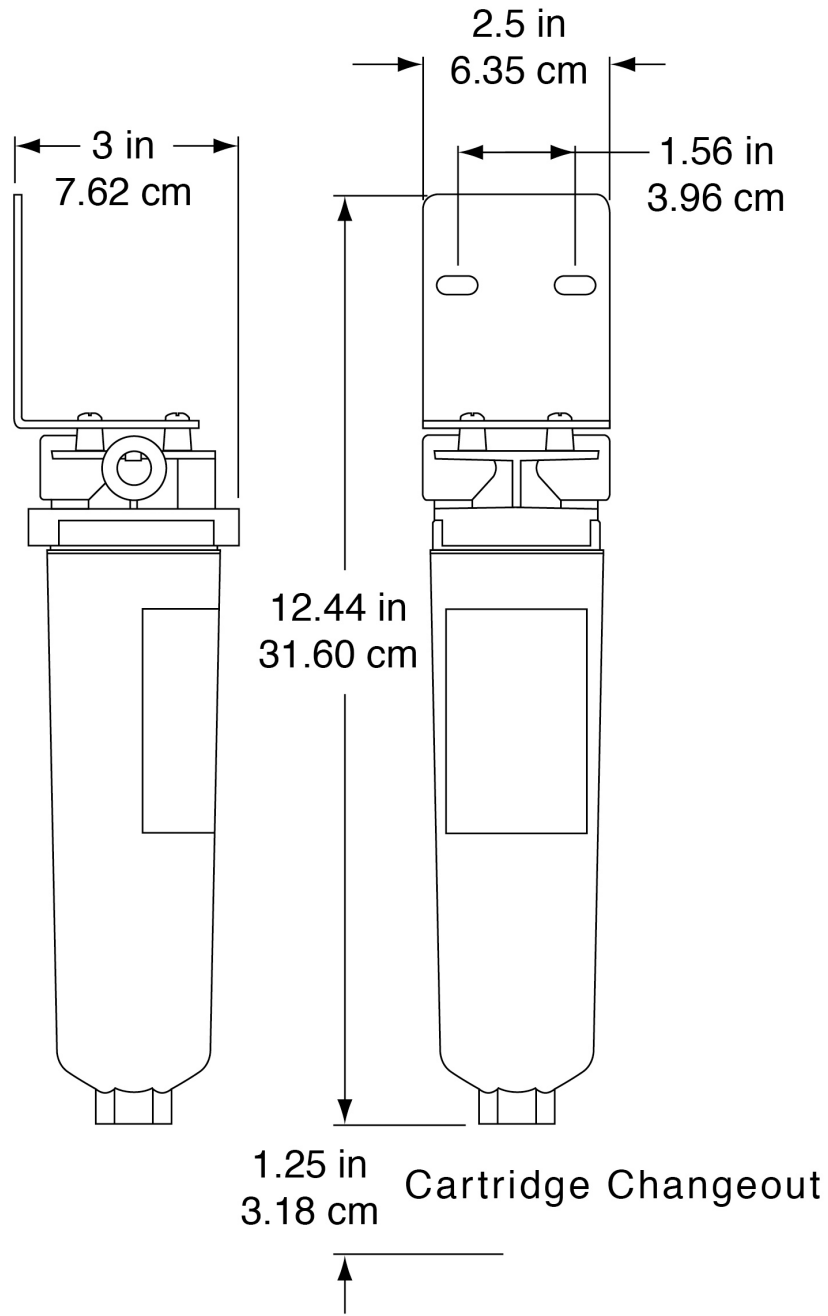
### Plumbing Requirements

Max Operating Pressure	Max Operating Temperature	Inlet Connection	Outlet Connection
-	-	-	-



BUNN® reserves the right to change specifications and product design without notice. Such revisions do not entitle the buyer to corresponding changes, improvements, additions or replacements for previously purchased equipment. For most current specifications and other info visit [bunn.com](http://bunn.com).

Created on:  
09/13/2017



EQ-17-TL

Unit				Shipping				
	Width	Height	Depth	Width	Height	Depth	Weight	Volume
English	2.5 in.	12.4 in.	3.0 in.	-	-	-	13.000 lbs	-
Metric	6.4 cm	31.5 cm	7.6 cm	-	-	-	5.897 kgs	-



BUNN® reserves the right to change specifications and product design without notice. Such revisions do not entitle the buyer to corresponding changes, improvements, additions or replacements for previously purchased equipment. For most current specifications and other info visit [bunn.com](http://bunn.com).

Created on:  
09/13/2017

## Related Products & Accessories:EQ-17-TL (12)(30200.0000)



WATER FILTER  
SYSTEM,EQ-17-TL

Product #: 30200.1000



BUNN® reserves the right to change specifications and product design without notice. Such revisions do not entitle the buyer to corresponding changes, improvements, additions or replacements for previously purchased equipment. For most current specifications and other info visit [bunn.com](http://bunn.com).

Created on:  
09/13/2017