



Project _____

Item No. _____

Quantity _____

7 qt. SinAqua™ Souper



FEATURES

- SinAqua™ (waterless) holding and rethermalization
- 800 watts induction heating
- User selectable precision hold and rethermalization functions
- Holding temperatures range from 140°-200°F (60°-93°C)
- Rethermalizing temperatures range from 170°-200°F (75°-95°C)
- Programmable stir notification – defaults to four minutes when rethermalizing and 15 minutes when holding
- Pan compensation technology allows for use with magnetic and non-magnetic soup tureens**
- Active dry-pan protection prevents users from unintentionally damaging the unit
- Highly visible and durable capacitive touch user interface
- Audible and visual cues
- Includes one 7 qt. 18/8 stainless steel soup tureen and lid for maximum performance, durability, and corrosion resistance
- Spun aluminum exterior construction and high-gloss polycarbonate fascia and tureen liner
- Available in brushed aluminum or in five powder coated colors
 - Traffic Red (RAL-3020)
 - Yellow Green (RAL-6018)
 - Pure White (RAL-9010)
 - Jet Black (RAL-9005)
 - Custom Blue
- Two-year advanced replacement warranty – U.S. and Canada (Only)

PERFORMANCE

The SinAqua™ Souper is a portable countertop unit from CookTek used for rethermalizing food and precision holding. Employing a forward-thinking design and high-contrast, easy-to-use capacitive touch control, the SinAqua™ Souper can take liquid foods from an unfrozen, chilled state through the food safety danger zone in as little as 45 minutes.† After rethermalization, food is held at a precise temperature within a selectable range of 140–200°F (60–93°C). Utilizing CookTek inductive heating technology, the SinAqua™ Souper consistently heats food without scorching and holds food twice as long as steam wells, while using less than half the energy. The SinAqua™ Souper eliminates maintenance and plumbing associated with traditional soup warmers.

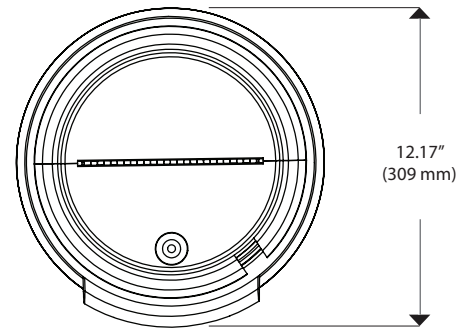
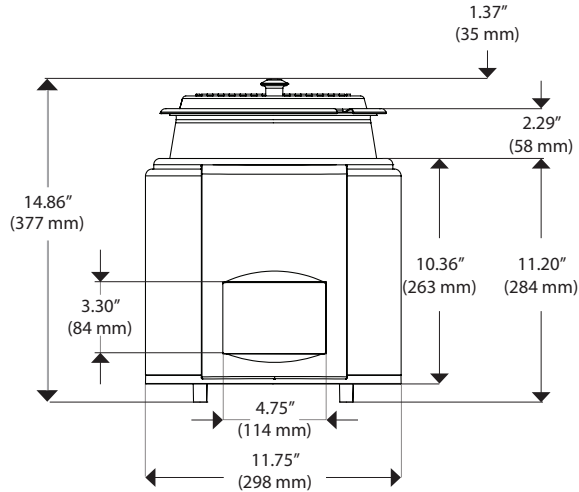
†Requires stirring

CERTIFICATIONS (PENDING)



**CookTek only recommends usage of the SinAqua™ Souper with CookTek specific soup tureens to ensure performance and food quality. Other pans are not guaranteed to work with this unit. The SinAqua™ Souper is specifically designed for use with CookTek approved components.

It is the owner and installer's responsibility to comply with all local codes. CookTek reserves the right to make substitutions of components or change specifications without prior notice.



DIMENSIONS			
Unit Height	14.86"	377 mm	
Diameter	12.17"	309 mm	
Weight	11.92 lb.	5.41 kg	
Max Ambient Temperature	131°F	55°C	
SHIPPING INFORMATION			
Packaged Height	17.72"	450 mm	
Packaged Width	16.54"	420 mm	
Packaged Depth	16.54"	420 mm	
Packaged Weight	13.45 lb.	6.1 kg	
Item Class	1405001104		
ELECTRICAL SPECIFICATIONS (SINGLE PHASE)			
7 QT. Freestanding Soup Warmer (Models: SAS081-7, SAS082-7)			
UNITED STATES/ CANADA	675101 675101-BLACK 675101-BLUE 675101-GREEN 675101-RED 675101-WHITE	100-120 V, 50/60 Hz, 7A, 800 W	 NEMA 5-15P
UNITED STATES/ CANADA	675201 675201-BLACK 675201-BLUE 675201-GREEN 675201-RED 675201-WHITE	200-240 V, 50/60 Hz, 4A, 800 W	 NEMA 6-20P
UK/ SAUDI ARABIA	675202 675202-BLACK 675202-BLUE 675202-GREEN 675202-RED 675202-WHITE	200-240 V, 50/60 Hz, 4A, 800 W	 BS1363, 13A, 230V
INTERNATIONAL	675203 675203-BLACK 675203-BLUE 675203-GREEN 675203-RED 675203-WHITE	200-240 V, 50/60 Hz, 4A, 800 W	 CEE 7/7 Schuko, 16A, 250V

ELECTRICAL SPECIFICATIONS (SINGLE PHASE)			
7 QT. Freestanding Soup Warmer (Models: SAS081-7, SAS082-7) CONT...			
AUSTRALIA	675204 675204-BLACK 675204-BLUE 675204-GREEN 675204-RED 675204-WHITE	200-240 V, 50/60 Hz, 4A, 800 W	 AS/NZS 3112:2000, 10A, 250V
JAPAN	675206 675206-BLACK 675206-BLUE 675206-GREEN 675206-RED 675206-WHITE	200-240 V, 50/60 Hz, 4A, 800 W	Call
SOUTH AFRICA	675207 675207-BLACK 675207-BLUE 675207-GREEN 675207-RED 675207-WHITE	200-240 V, 50/60 Hz, 4A, 800 W	 BS 546, 16A, 250V
ISRAEL	675208 675208-BLACK 675208-BLUE 675208-GREEN 675208-RED 67520-WHITE	200-240 V, 50/60 Hz, 4A, 800 W	 SI 32, 16A, 250V

Global Operations
 2801 Trade Center Drive / Carrollton, Texas 75007 USA
 US: 800.90TURBO (800.908.8726) / International: +1 214.379.6000
 Fax: +1 214.379.6073 / www.cooktek.com