

Product Name	Silenzio™ 1000 Watt Drop-In Induction Buffet	Quantity	Item #
--------------	--	----------	--------



Note: Induction buffet units require the use of induction compatible (i.e. magnetic) servingware.



SILENZIO™ 1000 WATT DROP-IN INDUCTION BUFFET B1001-D, B1002-D

Standard Features

- Drop-in counter-top design, aluminum housing, heavy duty energy efficient electronics, high-impact commercial grade tempered glass
- Microprocessor monitors vital components 120 times per second to check for overheating, power supply problems, and more. Buffet unit shuts off and displays error codes enabling user to diagnose and correct minor problems
- Automatic pan detection allows for instant energy transmission to pan, and almost no energy consumption when pan is not present
- Maximum temperature limit prevents damage to servingware, keeps food in the “safe zone”
- Four standard temperature settings
- Eleven additional temperature settings can be accessed via simple keypad function
- Standard Cat 5e or Cat 6 patch cable from unit to control box is included. Replacement cables up to 25 ft (7.6m) long may be used but MUST BE SHIELDED.
- Easy to clean tempered glass top
- Works with standard induction compatible servingware
- Lock feature prevents unwanted setting changes
- Red LED display for precise user control and feedback
- Available in 100-120VAC or 200-240VAC
- Can put one 100-120VAC units on a 15amp circuit, two on a 20amp circuit

- Can use three 200-240VAC units on a 15 amp circuit
- Integral automatic timer commences when pan is placed on surface. Hold time is user selectable. Display flashes when hold time has expired. Timer can be turned on or off.
- One-year limited warranty in US/Canada only. See warranty statement for full details.
- Made in the USA*

Specifications

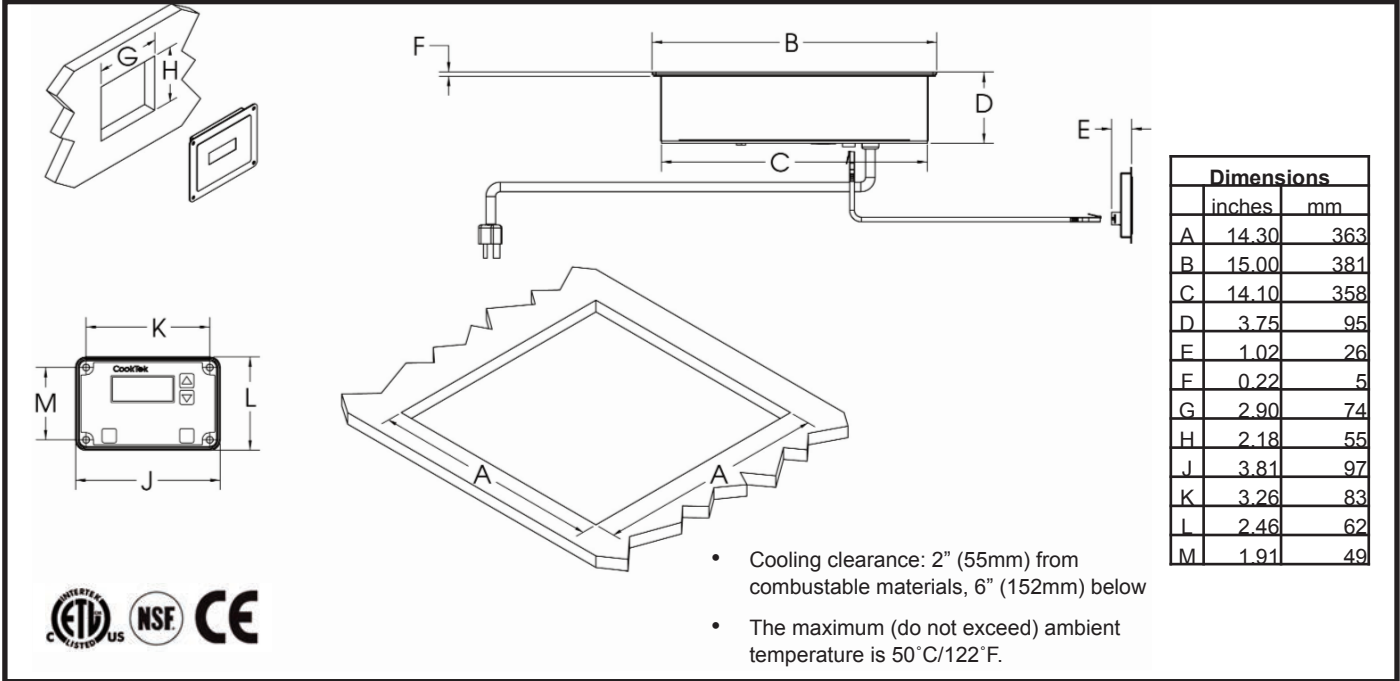
Shall be a CookTek drop-in Induction Buffet unit, model _____ with a total kW rating of 1.0 kW.

Unit shall be manufactured in the United States and constructed of an aluminum housing and a high-impact tempered glass top.

Unit shall be built with an auto shut-off feature to prevent overheating, offer self-diagnostics, and have a pan maximizer feature to ensure maximum heating of any induction compatible pan.

Unit shall operate on _____ power with integral _____ cord and plug (supplied).

*of USA and imported parts



Specifications

Model Number	B1001-D	B1002-D
Power Requirements	100-120VAC, 1Ph	200-240VAC, 1Ph
Power Consumption	1000W (max)	1000W (max)
Voltage	100-120VAC, 50/60 Hz	200-240VAC, 50/60 Hz
Amperage	8.5A (max)	4.2A (max)
Power Range	100-1000W	100-1000W
Preset Temperatures	150, 160, 175, 190°F / 65, 70, 80, 90°C	150, 160, 175, 190°F / 65, 70, 80, 90°C
Additional Temperature Settings	80, 165, 170, 180, 185, 200, 210, 220, 230, 240, 250°F / 30, 40, 50, 60, 75, 85, 95, 100, 105, 110, 120°C	80, 165, 170, 180, 185, 200, 210, 220, 230, 240, 250°F / 30, 40, 50, 60, 75, 85, 95, 100, 105, 110, 120°C
Dimensions (in)	15" x 15" x 3.75"	15" x 15" x 3.75"
Dimensions (mm)	381 x 381 x 95	381 x 381 x 95
Cutout Dimensions (in)	14.3" x 14.3"	14.3" x 14.3"
Cutout Dimensions (mm)	363 x 363	363 x 363
Weight	13 lbs / 5.9 kg	13 lbs / 5.9 kg
Packaged Weight	17 lbs / 7.7 kg	17 lbs / 7.7 kg
Packaged Dimensions (in)	20" x 20" x 10"	20" x 20" x 10"
Packaged Dimensions (mm)	508 x 508 x 254	508 x 508 x 254
Power Cord Length	6 ft / 1.8 m	6 ft / 1.8 m
Plug Type	NEMA 5-15P	NEMA 6-20Pin US/Canada - country specific elsewhere
Remote Control Box Cord Length	6 ft / 1.8 m	6 ft / 1.8 m
Warranty	12-month limited parts and labor in US/Canada only - see statement for details	

Note: Ambient air should not exceed 50°C/122°F. Many local codes exist, and it is the Owner and Installer's responsibility to comply with those codes. CookTek continually improves its products and reserves the right to change or improve specifications without notice.

CookTek Induction Systems, LLC
156 N. Jefferson St. Ste 300
Chicago, IL 60661-1436, USA
www.cooktek.com

Tel: 1.312.563.9600 Fax: 1.312.432.6220
Toll Free: 1.888.COOKTEK (266.5835)
Toll Free Fax: 1.888.COOKFAX (266.5329)