



# REVERSIBLE DOUGH SHEETER



**Reversible Dough Sheeter, Floor Model, 20 Speeds, 19 11/16" Stainless Steel Rollers, Adjustable Roller Gap (1-40mm), Enamel Coated Stainless Steel Construction, Hand and Foot Belt Controls, 1 HP, CE & ETL Listed**



PROJECT \_\_\_\_\_  
 ITEM NO. \_\_\_\_\_  
 NOTES \_\_\_\_\_  
 MODEL NUMBER: LMA620 , LMA624 , LMA630

**FEATURES**

- 20 Adjustable Speeds
- Fold Up Belts for Easy Storage
- Removable Arms
- Synchronized Belt System
- Adjustable Thickness from 1/32" - 1 1/2" (1 - 40 mm)
- Control Belt by Either Dual Hand or Foot Controls
- Emergency Stop
- 30 lb. Dough Capacity
- Thermal Overload Protection on Motor
- Easy to Remove & Adjust Scrapers
- Protective Guards with Motor Shut-Off Feature

**CONSTRUCTION**

- Polyurethane Belts
- Stainless Steel Rollers
- Stainless Steel Catch Pans (each side)
- Plastic Food Grade Reservoir (above rollers)
- Low Profile Casters for Mobility
- [2] Polyurethane Rolling Pins

**OPTIONS & ACCESSORIES**

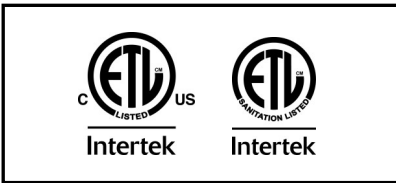
- Stainless Steel Construction (Suffix I)
- Cutter Housing for LMA624 & LMA630
- Custom Cutter Blades for Cutter Housing (LMA624 & LMA630 Only) (Available in Croissant, Disc, Round, Rectangular, Spike, Lattice, & Donut)

**CLEARANCES**

- 6" (152mm) - All Sides (do not place anything below belt)

**WARRANTY**

- One Year Labor & Two Year Parts



| Model  | Crated Weight | Overall Dimensions |                  |                  | Conveyor Dimensions |                       | Electrical System |      | NEMA  |
|--------|---------------|--------------------|------------------|------------------|---------------------|-----------------------|-------------------|------|-------|
|        |               | W                  | D                | H                | D                   | W                     | Volts             | Amps |       |
| LMA620 | 700<br>(318)  | 91.25"<br>(2318)   | 39.48"<br>(1003) | 45.74"<br>(1162) | 22.83"<br>(580)     | 78.74"<br>(1000 x 2)  | 120               | 8.3  | 5-15P |
| LMA624 | 815<br>(370)  | 107"<br>(2718)     | 39.48"<br>(1003) | 45.74"<br>(1162) | 22.83"<br>(580)     | 94.48"<br>(1200 x 2)  | 120               | 8.3  | 5-15P |
| LMA630 | 900<br>(409)  | 130.74"<br>(3321)  | 39.48"<br>(1003) | 45.74"<br>(1162) | 22.83"<br>(580)     | 118.11"<br>(1500 x 2) | 120               | 8.3  | 5-15P |

SPECIFICATIONS SUBJECT TO CHANGE WITHOUT NOTICE

KCL & REVIT DRAWINGS UPON REQUEST

REVISION C | 2/5/2026

Follow Us



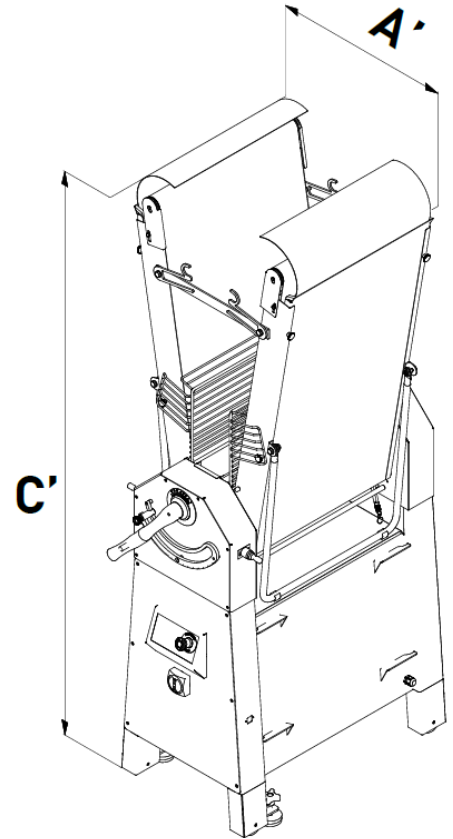
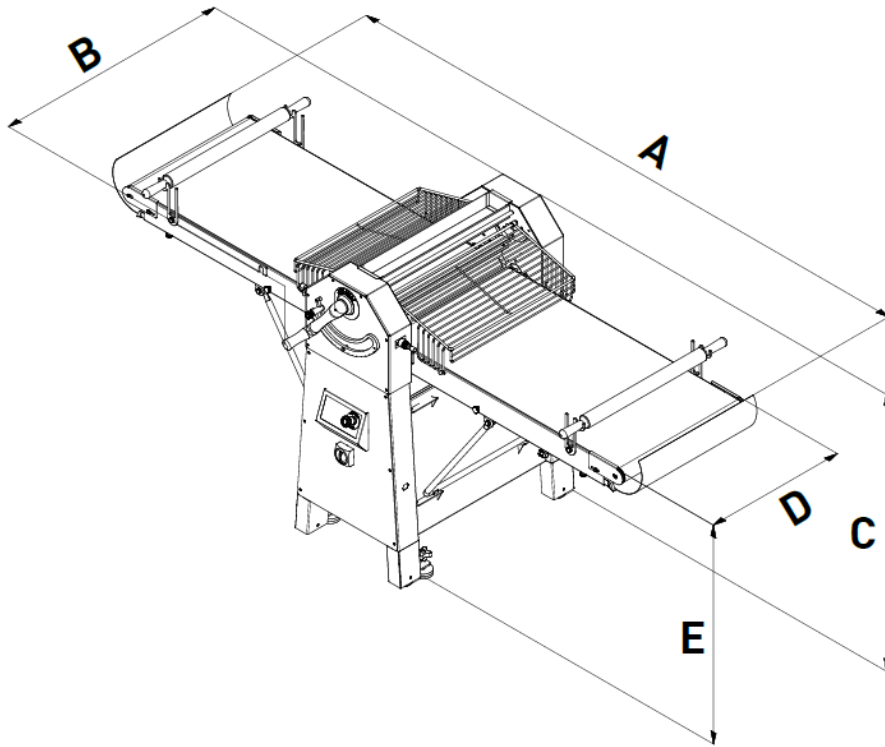
Doyon

5600 13th Street, Menominee, MI 49858

906.863.4401 | 800.338.9886 | www.doyon.qc.ca



**DRAWINGS**



|    | LMA620                             | LMA624                             | LMA630                              |
|----|------------------------------------|------------------------------------|-------------------------------------|
| A  | 90 <sup>9</sup> / <sub>16</sub> "  | 106 <sup>5</sup> / <sub>16</sub> " | 129 <sup>15</sup> / <sub>16</sub> " |
| A' | 26 <sup>15</sup> / <sub>16</sub> " | 35 <sup>7</sup> / <sub>16</sub> "  | 34 <sup>15</sup> / <sub>16</sub> "  |
| B  | 40 <sup>3</sup> / <sub>8</sub> "   | 40 <sup>3</sup> / <sub>8</sub> "   | 40 <sup>3</sup> / <sub>8</sub> "    |
| C  | 46 <sup>1</sup> / <sub>16</sub> "  | 46 <sup>1</sup> / <sub>16</sub> "  | 46 <sup>1</sup> / <sub>16</sub> "   |
| C' | 72 <sup>13</sup> / <sub>16</sub> " | 80 <sup>11</sup> / <sub>16</sub> " | 92 <sup>1</sup> / <sub>2</sub> "    |
| D  | 23 <sup>5</sup> / <sub>8</sub> "   | 23 <sup>5</sup> / <sub>8</sub> "   | 23 <sup>5</sup> / <sub>8</sub> "    |
| E  | 36 <sup>1</sup> / <sub>4</sub> "   | 36 <sup>1</sup> / <sub>4</sub> "   | 36 <sup>1</sup> / <sub>4</sub> "    |

**NEMA 5-15 PLUG**

