



FEATURES & BENEFITS

- AISI304 Stainless Steel Construction
- Heavy Duty Caster for Easy Mobility
- Accommodates a 140 qt Bowl

STANDARD PRODUCT WARRANTY

90 Day Parts Only

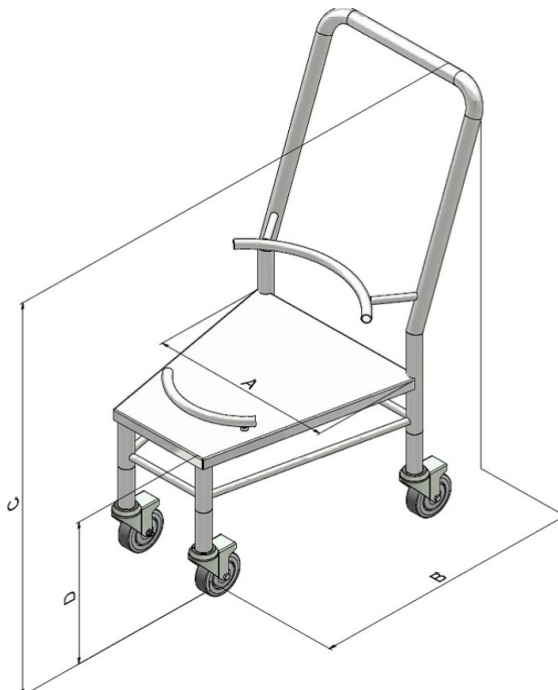
CONSTRUCTION

Stainless Steel

DIMENSIONS & SHIPPING WEIGHT

- A - 19 1/8" (485 mm)
- B - 28 15/16" (735 mm)
- C - 36" (914 mm)
- D - 10 13/16" (274 mm)

27.6 lbs (12.5 kg)



SHORT SPECIFICATION

Bowl Trolley, BTL Series, 140 QT, Stainless Steel Construction, Heavy Duty Caster for Mobility, 90 Day Defective Parts Warranty