

Bowl Dolly for BTF060
MODEL: BTF060D



FEATURES & BENEFITS

- AISI304 Stainless Steel Construction
- Heavy Duty Caster for Easy Mobility
- Accommodates a 60 qt Bowl

STANDARD PRODUCT WARRANTY

90 Day Parts Only

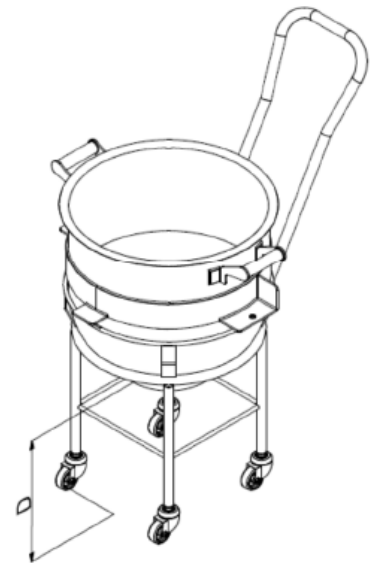
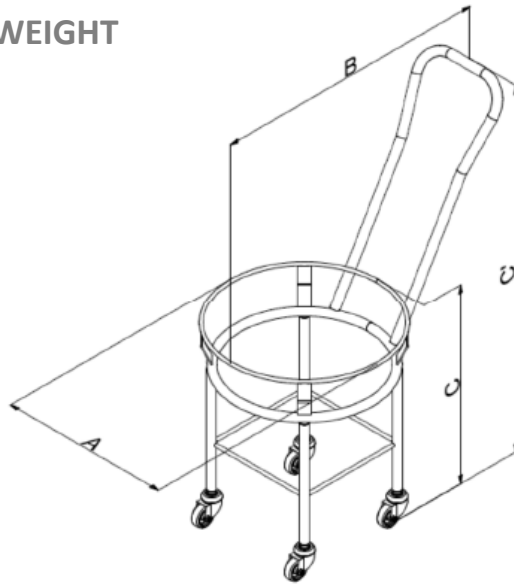
CONSTRUCTION

Stainless Steel

DIMENSIONS & SHIPPING WEIGHT

- A - 17 1/2" (445 mm)
- B - 28 1/8" (715 mm)
- C - 19 5/16" (490 mm)
- C' - 35 5/8" (905 mm)
- D - 11 15/16" (303 mm)

9.9 lbs (4.5 kg)



SHORT SPECIFICATION

Bowl Trolley, BTF Series, 60 QT, Stainless Steel Construction, Heavy Duty Caster for Mobility, 90 Day Defective Parts Warranty