



**a Standex company**

ITEM: \_\_\_\_\_ PROJECT NAME: \_\_\_\_\_ DATE: \_\_\_\_\_

## HIGH VOLUME DUAL ZONE CASE

**MODEL**    **SGR5042DZ**  
**SGR5048DZ**  
**SGR5942DZ**  
**SGR5948DZ**  
**SGR7742DZ**  
**SGR7748DZ**



*Display more product and serve more customers with presentation and value in mind. Cases are available in lengths of 50", 59", and 77". Designed for continuous case line-ups.*

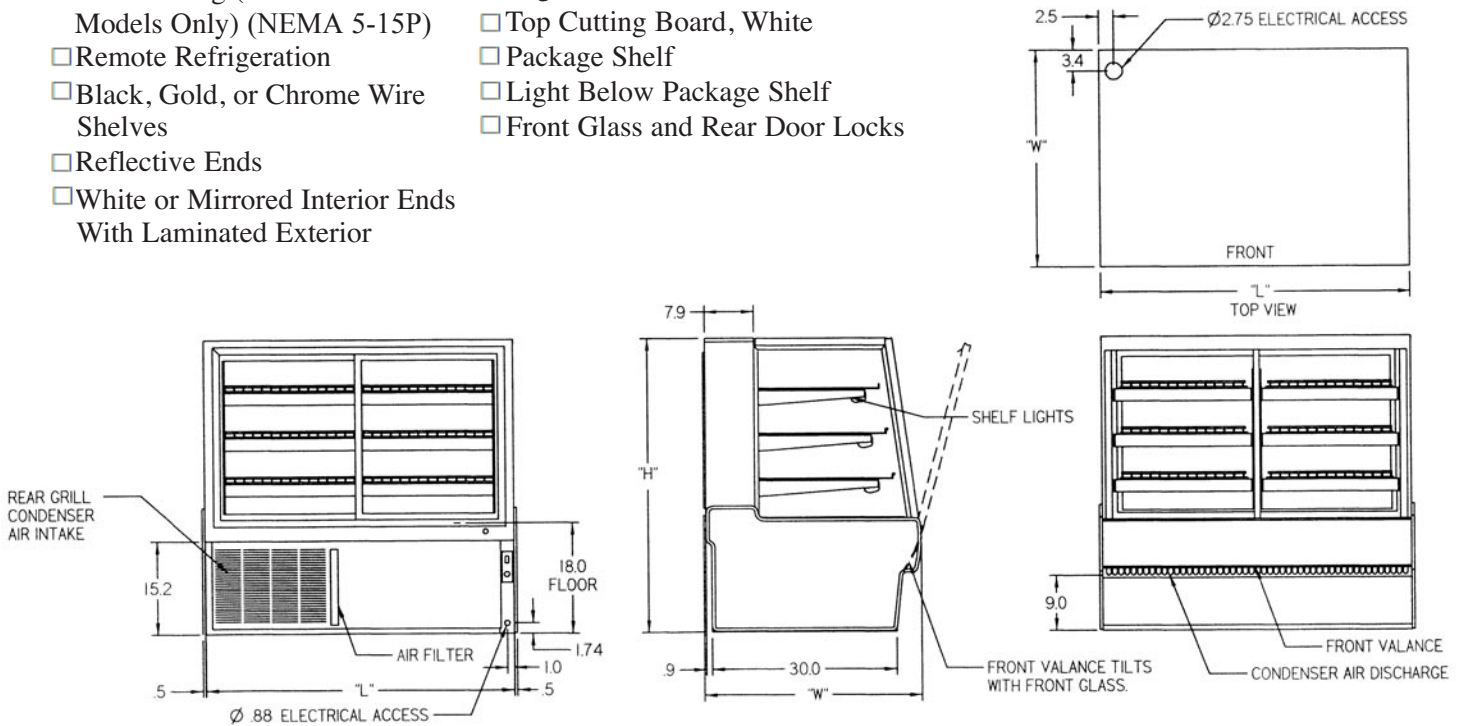
### STANDARD FEATURES

- Single base design.
  - Left side refrigerated, right side non-refrigerated from customer view.
  - Adjustable white wire shelves. Shelves are adjustable up and down and can also be tilted in three positions. 48" models have three tiers of shelves; 42" models have two tiers of shelves.
  - LED top light and shelf lights.
  - Tempered thermopane tilt-out front glass for easy cleaning. Front glass is sloped for high visual product display.
  - Tempered thermopane glass top, ends, and doors.
  - Removable sliding rear doors, shelf lights, shelf supports, and shelves.
  - Steel base construction with a choice of six standard laminates on base. Other finishes optional.
  - Black trim.
  - White scratch-resistant display deck.
  - UL Safety and UL Sanitation Listed.
- Added Features for Refrigerated Side**
- Condenser air filter on self-contained units.
  - Thermometer.
  - Condensate evaporator provided for a totally self-contained system.
  - Oversized coil and low-velocity fan system maintains high humidity and product freshness.
  - Easy clean, rustproof insulated evaporator coil compartment.
  - Adjustable temperature control.
  - Average case temperature of 38° to 40° is maintained.
  - Rear access of the refrigeration system for quick and easy service.
  - 134A Refrigerant.

# HIGH VOLUME DUAL ZONE CASE

## OPTIONAL ACCESSORIES:

- Special Base Finish
- Glass Shelves
- Rear Wrapping Board
- Cord & Plug (Self-Contained Models Only) (NEMA 5-15P)
- Remote Refrigeration
- Black, Gold, or Chrome Wire Shelves
- Reflective Ends
- White or Mirrored Interior Ends With Laminated Exterior
- Reflective Rear Doors
- Casters/Cord & Plug Included (Self-Contained Models Only)
- Legs
- Top Cutting Board, White
- Package Shelf
- Light Below Package Shelf
- Front Glass and Rear Door Locks



## SPECIFICATIONS:

| Model     | Dimensions |        |     | Shipping Weight (lbs) | Self-Contained 120/60/1 | Remote 120/60/1 |
|-----------|------------|--------|-----|-----------------------|-------------------------|-----------------|
|           | L          | W      | H   |                       |                         |                 |
| SGR5042DZ | 50.3"      | 35.31" | 42" | 688                   | 1/3 HP - 8.0 AMPS       | 2.5 AMPS        |
| SGR5048DZ | 50.3"      | 35.31" | 48" | 730                   | 1/3 HP - 8.0 AMPS       | 2.5 AMPS        |
| SGR5942DZ | 59.13"     | 35.31" | 42" | 735                   | 1/3 HP - 9.0 AMPS       | 3.0 AMPS        |
| SGR5948DZ | 59.13"     | 35.31" | 48" | 765                   | 1/3 HP - 9.0 AMPS       | 3.0 AMPS        |
| SGR7742DZ | 77.13"     | 35.31" | 42" | 890                   | 1/3 HP - 9.0 AMPS       | 3.0 AMPS        |
| SGR7748DZ | 77.13"     | 35.31" | 48" | 930                   | 1/3 HP - 9.0 AMPS       | 3.0 AMPS        |

- If a GFCI circuit is required, a GFCI Breaker Must be used instead of GFCI receptacle.
- Refrigerated cases are designed to operate in a maximum environment of 75° ambient and 55% relative humidity.
- Due to continuing engineering improvements, specifications are subject to change without notice.



## Look to Federal for Innovative Merchandising



*The Signature of Quality*

**FEDERAL INDUSTRIES**  
A Standex Company

215 FEDERAL AVENUE, BELLEVILLE, WISCONSIN 53508-9201

PHONE: 800-356-4206

EMAIL: [geninfo@federalind.com](mailto:geninfo@federalind.com)

FAX: 608-424-3234

WEBSITE: [www.federalind.com](http://www.federalind.com)

