



a Standex company

ITEM: _____ PROJECT NAME: _____ DATE: _____

SERIES '90 HOT DELI CASE

MODEL SN-4HD
 SN-6HD



Series '90. The ultimate merchandiser with advanced styling for maximum visual appeal. Cases are available in lengths of 4' and 6'. Designed for continuous case line-ups.

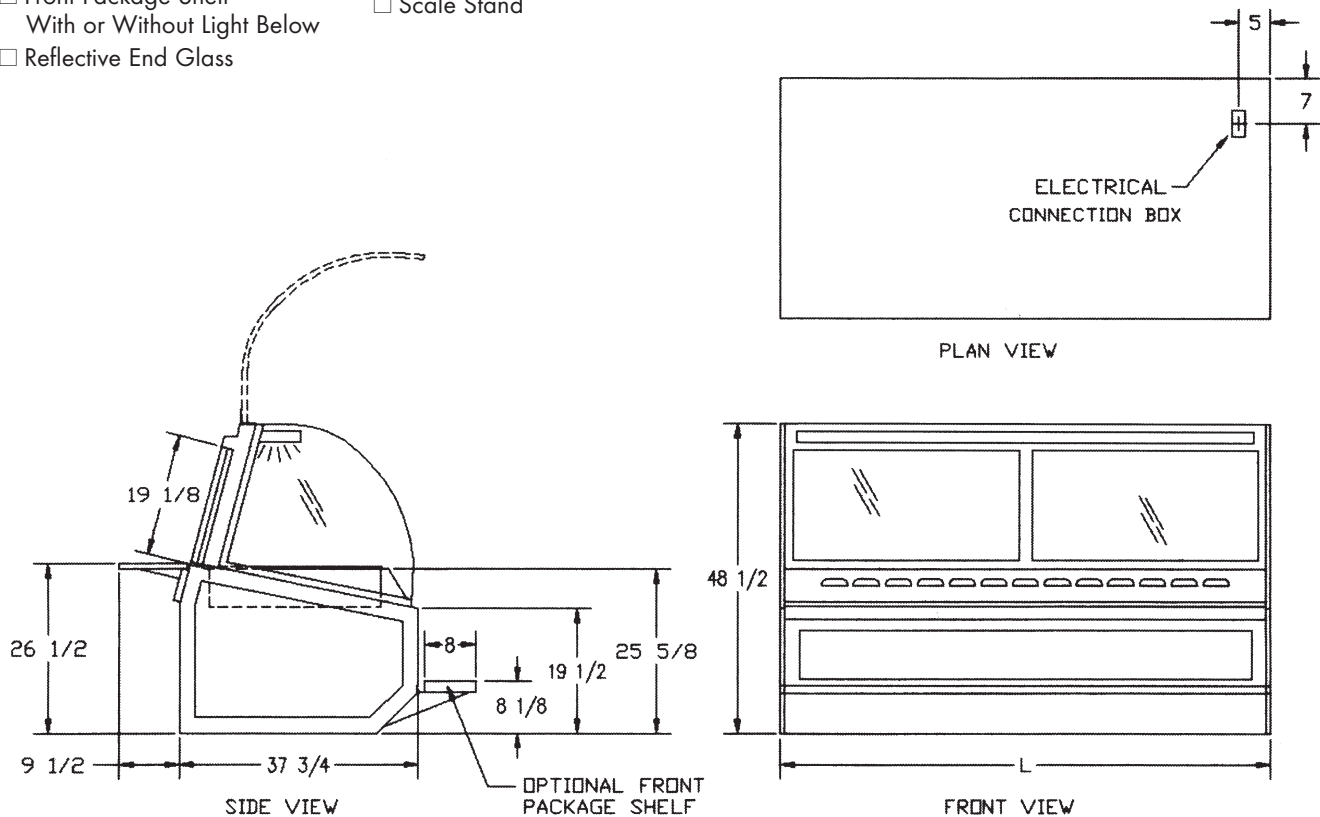
STANDARD FEATURES

- Designed for wet or dry heat.
- Lift-up pneumatic, cylinder-assisted, double-curve tempered front glass.
- Four-point leveling system.
- Removable sliding rear glass doors with moisture vent panels. Doors are sloped for product access.
- All-welded base construction with a choice of six standard laminates on base. Other finishes optional.
- Double-bend tempered front glass reduces glare from outside lighting.
- Base trim: specify white, black, or stainless.
- End glass trim: specify white or black.
- Case height is only 48" high allowing better interaction between the customer and the sales clerk.
- Rear wrapping board.
- Appliance receptacle provided on the back of the case for a cash register, scale.
- Heating wells are one-piece stainless steel. Each well is heated with its own cal-rod heating element and is controlled by its own thermostat. Each well has a drain and valve and holds a full-size pan and a third.
- Top-mounted, full-length infrared heater provides uniform product temperature. Incandescent lighting provides even product illumination.
- Moisture vents on the rear doors and a forced air front glass defogger prevents excess moisture build-up.
- Interior - stainless steel.
- To fill the pans with water, a flexible fill hose is provided with a connecting 1/2" NPT water pipe fitting.
- UL Safety and NSF Listed.

SERIES '90 HOT DELI CASE

OPTIONAL ACCESSORIES:

- Special Base Finish
- Base Trim Specify White, Black, or Stainless
- End Glass Trim Specify White or Black
- Legs
- Cord and Plug (Six Foot)
- Front Package Shelf With or Without Light Below
- Reflective End Glass
- Mirrored Interior Ends With Laminated Exterior
- Reflective Rear Doors
- Front Glass and Rear Door Locks
- Top Service Shelf (Stainless Steel or Glass)
- Scale Stand



SPECIFICATIONS:

Model	Dimensions L W H	Shipping Weight (lbs)	*AMPS 120/208-240/60/1 3 Wire Plus Ground	Drain	**Wells
<input type="checkbox"/> SN-4HD	48 1/4" x 37 3/4" x 48 1/2"	625	30	1" NPT	3
<input type="checkbox"/> SN-6HD	77 1/4" x 37 3/4" x 48 1/2"	685	45	1" NPT	5

*Plus general purpose receptacle 120V, 15AMP.

**Each well holds a full-size pan and a third. The SN-6HD center well holds a full-size pan only.

• Due to continuing engineering improvements, specifications are subject to change without notice.



The Signature of Quality

FEDERAL INDUSTRIES
A Standex Company

215 FEDERAL AVENUE, BELLEVILLE, WISCONSIN 53508-9201

PHONE: 800-356-4206

FAX: 608-424-3234

EMAIL: geninfo@federalind.com

WEBSITE: www.federalind.com

