

PRODUCT NAME: STAINLESS STEEL  
GLASS FILLER WITH SINK ASSEMBLY

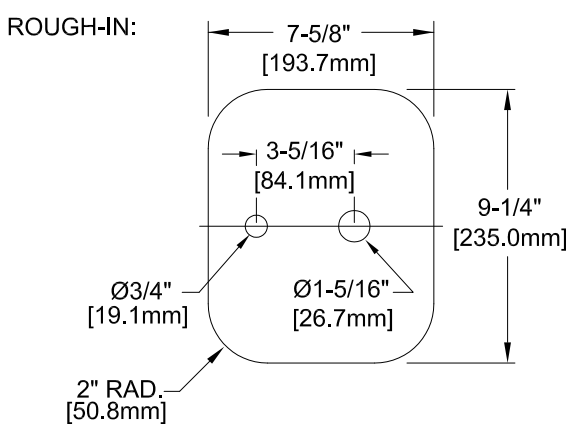
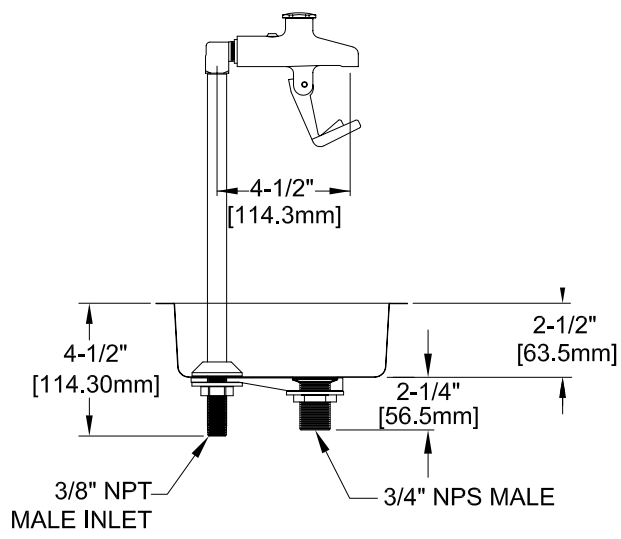
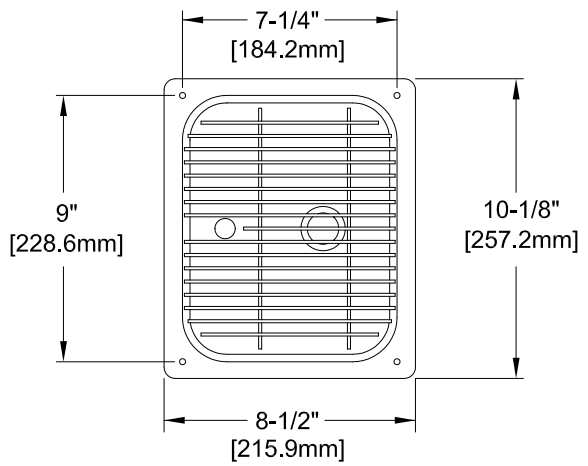
- MODEL:
- 54208 WITH 10" PEDESTAL W/ SINK ASSEMBLY
  - 59110 WITH 12" PEDESTAL W/ SINK ASSEMBLY
  - 59129 WITH 14" PEDESTAL W/ SINK ASSEMBLY

- FEATURES
- GLASS FILLER
- \* STAINLESS STEEL HEAD
  - \* TAMPER PROOF VOLUME CONTROL
  - \* HANDLES BOTH PAPER & GLASS CUPS
  - \* NON-MARRING DELRIN PRONG
  - \* STAINLESS STEEL SEAT SCREW
  - \* STAINLESS STEEL STREAM STRAINER

- SINK ASSEMBLY
- \* STAINLESS STEEL CONSTRUCTION
  - \* 3/4" DRAIN ASSEMBLY
  - \* VINYL-DIPPED GRILL

- SYSTEM LIMITS
- \* TEMP: 40°F MIN. TO 140°F MAX.
  - \* PRESSURE: 100 PSI MAX. STATIC
  - \* 2.2 GPM AT 80 PSI

- SHIPPING WEIGHT
- \* 5.25 LBS
  - \* NSF 61-9 APPROVED & LISTED
  - [www.truesdail.com](http://www.truesdail.com)



ANSI/A112.18.1-2005

FISHER

FISHER MANUFACTURING COMPANY  
TOLL FREE: 800-421-6162 - FAX: 800-832-8238  
[information@fisher-mfg.com](mailto:information@fisher-mfg.com) - [www.fisher-mfg.com](http://www.fisher-mfg.com)