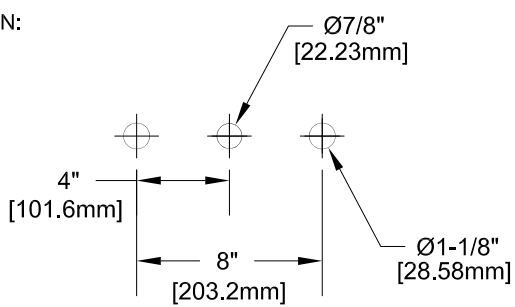


ROUGH-IN:



PRODUCT NAME: STAINLESS STEEL
WIDESPREAD PRE-RINSE WITH ADD-ON

MODEL:

- 68306 6" SWING SPOUT W/ LEVER HANDLES
- 68314 8" SWING SPOUT W/ LEVER HANDLES
- 68322 10" SWING SPOUT W/ LEVER HANDLES
- 68330 12" SWING SPOUT W/ LEVER HANDLES
- 68349 14" SWING SPOUT W/ LEVER HANDLES
- 68357 16" SWING SPOUT W/ LEVER HANDLES
- 76422 6" SWING SPOUT W/ WRIST HANDLES
- 76430 8" SWING SPOUT W/ WRIST HANDLES
- 76449 10" SWING SPOUT W/ WRIST HANDLES
- 76457 12" SWING SPOUT W/ WRIST HANDLES
- 76465 14" SWING SPOUT W/ WRIST HANDLES
- 76473 16" SWING SPOUT W/ WRIST HANDLES

FEATURES:

MAIN CONTROL VALVE

- * WIDESPREAD DECK
- * STAINLESS STEEL CONSTRUCTION
- * INTERNAL SPRING LOADED CHECK VALVES
- * SWIVELLING SEAT DISKS
- * HOT SIDE STEM - RIGHT HAND CHECK
- * COLD SIDE STEM - LEFT HAND CHECK
- * STAINLESS STEEL SEATS, SEAT SCREWS AND HANDLE SCREWS

ADD-ON CONTROL VALVE

- * STEM - RIGHT HAND SWIVEL
- * HOT INDEX BUTTON
- * SWIVELLING SEAT DISKS
- * STAINLESS STEEL SEATS, SEAT SCREWS AND HANDLE SCREWS.

HOSE

- * 36" LENGTH
- * STAINLESS STEEL END FITTINGS
- * STAINLESS STEEL EXTERNAL JACKET
- * 3-PLY FIBER REINFORCED INTERNAL RUBBER HOSE
- * REPAIRABLE IN FIELD WITH SIMPLE TOOLS

ULTRA SPRAY VALVE

- * LOWEST ENERGY USER - 1.15 GPM @ 60 PSI
- * CLEANS FASTER - TEST PROVEN
- * ENGINEERED TO LAST - NO 'O' RINGS TO LEAK
- * INTERCHANGEABLE - FITS ALL BRANDS

WALL BRACKET

- * ADJUSTS FROM 2" TO 12"

SYSTEM LIMITS

- * TEMP: 40°F MIN. TO 140°F MAX. STATIC
- * PRESSURE 200 PSI MAX. STATIC
- * SHIPPING WEIGHT: 15.0 LBS

* NSF 61-9 APPROVED & LISTED
www.truesdail.com

ANSI/A112.18.1-2005



FISHER MANUFACTURING COMPANY
TOLL FREE: 800-421-6162 - FAX: 800-832-8238
information@fisher-mfg.com - www.fisher-mfg.com