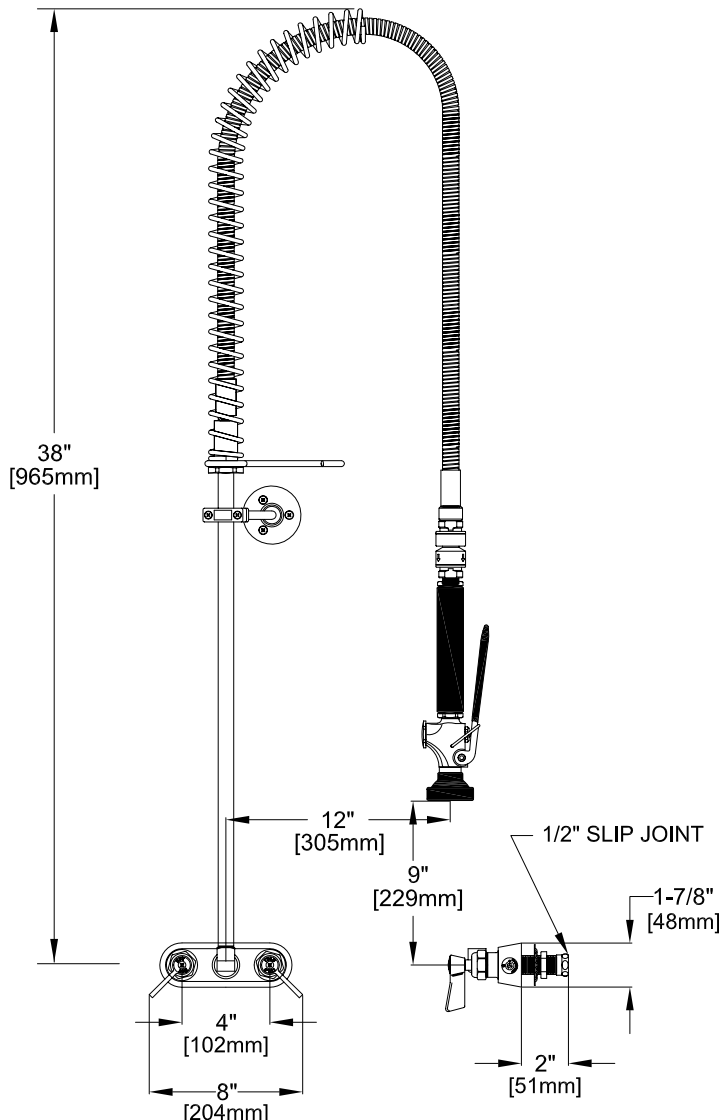


APPLICATION:	PRODUCT NAME: PRE-RINSE, SPRING STYLE, BACKSPLASH MOUNT
--------------	---------------------------------------------------------------

JOB NAME:	<input checked="" type="checkbox"/> 83305 SPECIAL CONFIGURATION <input type="checkbox"/> CHECK BASE MODEL AND OPTIONS
-----------	--------------------------------------------------------------------------------------------------------------------------

QUANTITY:	ITEM NO.	MODEL: <input checked="" type="checkbox"/> 2610-WB ULTRA SPRAY VALVE, WALL BRACKET <input type="checkbox"/> 2610 ULTRA SPRAY VALVE, NO WALL BRACKET
-----------	----------	-----------------------------------------------------------------------------------------------------------------------------------------------------------

	OPTIONS OR MODIFICATIONS: <input type="checkbox"/> SUPPLY LINES (24" OR 36") CIRCLE LENGTH <input type="checkbox"/> ADD-ON FAUCET (6", 8", 10", 12", 14", 16") CIRCLE <input checked="" type="checkbox"/> IN-LINE DUAL CHECK VALVE <input type="checkbox"/> BRUSH <input checked="" type="checkbox"/> ELBOWS <input type="checkbox"/> VANDAL RESISTANT KIT <input type="checkbox"/> HANDLES (CROSS OR WRIST) CIRCLE STYLE <input type="checkbox"/> OTHER _____
------------------------------------------------------------------------------------	----------------------------------------------------------------------------------------------------------------------------------------------------------------------------------------------------------------------------------------------------------------------------------------------------------------------------------------------------------------------------------------------------------------------------------------------------------------------------------------

FEATURES

- CONTROL VALVE**
- * 4" C/C BACKSPLASH MOUNT
 - * INTERNAL SPRING LOADED CHECK VALVES
 - * SWIVELLING SEAT DISKS
 - * HOT SIDE STEM - RIGHT HAND
 - * COLD SIDE STEM - LEFT HAND
 - * STAINLESS STEEL SEATS
 - * STAINLESS STEEL SEAT SCREWS
 - * STAINLESS STEEL HANDLE SCREWS

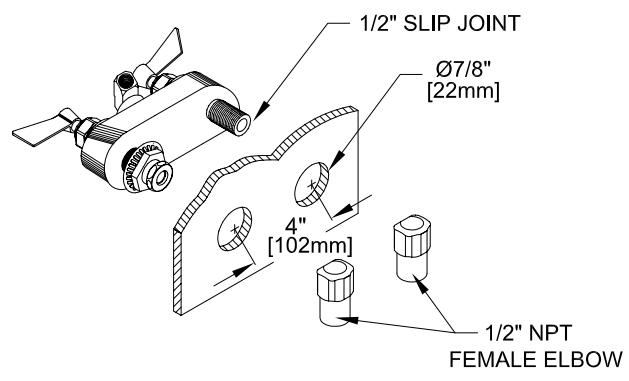
- HOSE**
- * 36" LENGTH
 - * STAINLESS STEEL END FITTINGS
 - * STAINLESS STEEL EXTERNAL JACKET
 - * 3 PLY FIBER REINFORCED INTERNAL RUBBER HOSE
 - * REPAIRABLE IN FIELD WITH SIMPLE TOOLS

- ULTRA SPRAY VALVE**
- * 1.6 GPM @ 80 PSI ENERGY EFFICIENT NOZZLE
 - * BRONZE HANDLE - NOT PLASTIC - MEANS FULL "ON"
 - * FITS ALL BRANDS

- SYSTEM LIMITS**
- * TEMP: 40°F MIN. TO 140°F MAX.
 - * PRESSURE: 200 PSI MAX. STATIC

- SHIPPING WEIGHT**
- * 12.0 LBS

ROUGH-IN:



ANSI/A112.18.1M

FISHER MANUFACTURING COMPANY

TOLL FREE: 800-421-6162 - FAX: 800-832-8238

information@fisher-mfg.com - www.fisher-mfg.com