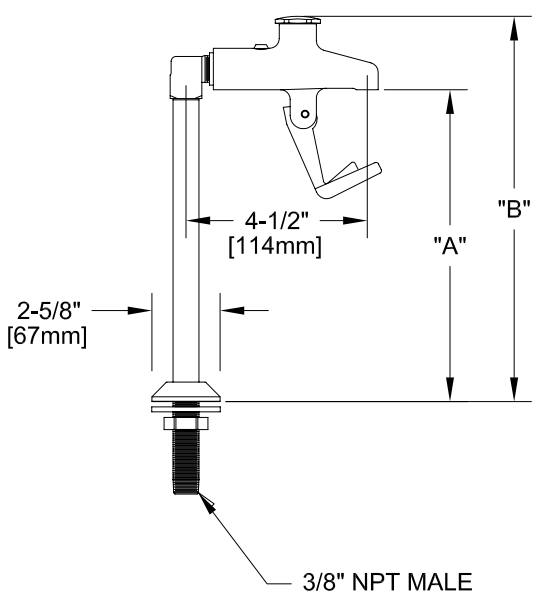


PRODUCT NAME: STAINLESS STEEL PEDESTAL GLASS FILLER

- MODEL:
- 54194 WITH 8" PEDESTAL
  - 54186 WITH 10" PEDESTAL
  - 59099 WITH 12" PEDESTAL
  - 59102 WITH 14" PEDESTAL

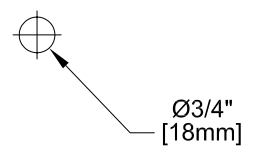
- FEATURES
- \* STAINLESS STEEL HEAD
  - \* TAMPER PROOF VOLUME CONTROL
  - \* HANDLES BOTH PAPER & GLASS CUPS
  - \* NON-MARRING DELRIN PRONG
  - \* STAINLESS STEEL SEAT SCREW
  - \* STAINLESS STEEL STREAM STRAINER

- SYSTEM LIMITS
- \* TEMP: 40°F MIN. TO 140°F MAX.
  - \* PRESSURE: 100 PSI MAX. STATIC
  - \* 2.2 GPM AT 80 PSI
- \* NSF 61-9 APPROVED & LISTED  
[www.truedail.com](http://www.truedail.com)



MODEL	DIM "A"	DIM "B"
54194	8" [203mm]	9-3/4" [248mm]
54186	10" [254mm]	11-3/4" [299mm]
59099	12" [305mm]	13-3/4" [350mm]
59102	14" [356mm]	15-3/4" [400mm]

ROUGH-IN:



**FISHER**  
 FISHER MANUFACTURING COMPANY  
 TOLL FREE: 800-421-6162 - FAX: 800-832-8238  
[information@fisher-mfg.com](mailto:information@fisher-mfg.com) - [www.fisher-mfg.com](http://www.fisher-mfg.com)