

APPLICATION:

JOB NAME:

QUANTITY: **ITEM NO.**

PRODUCT NAME:
**PRE-RINSE SPRING STYLE
 8" C/C DECK MOUNT**

**SPECIAL CONFIGURATION
 CHECK BASE MODEL AND OPTIONS**

MODEL:

2310 ULTRA SPRAY VALVE, NO WALL BRACKET

2310-WB ULTRA SPRAY VALVE, WALL BRACKET

OPTIONS OR MODIFICATIONS:

SUPPLY LINES (24" OR 36") CIRCLE LENGTH

ADD-ON FAUCET (6", 8", 10", 12", 14", 16") CIRCLE

IN-LINE DUAL CHECK VALVE

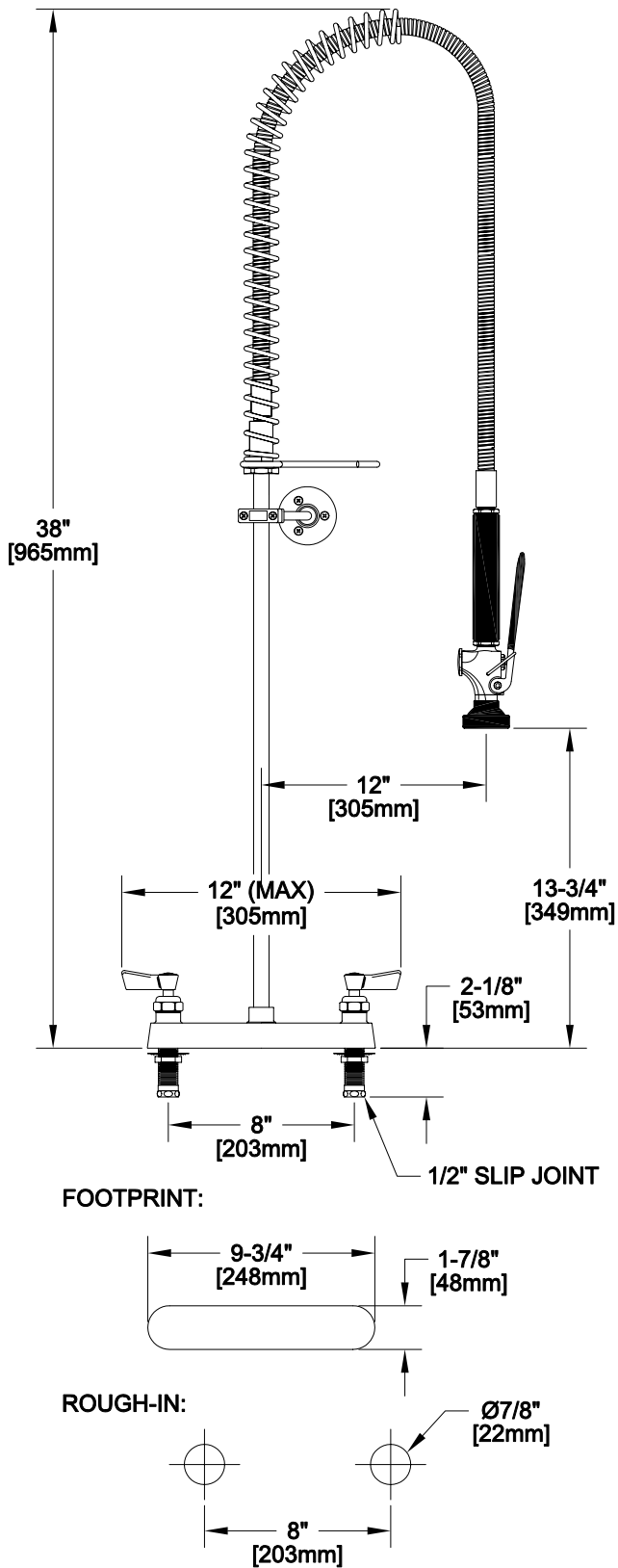
BRUSH

VANDAL RESISTANT KIT

HANDLES (CROSS OR WRIST) CIRCLE STYLE

OTHER _____

- FEATURES**
- CONTROL VALVE**
- * 8" C/C DECK MOUNT
 - * INTERNAL SPRING LOADED CHECK VALVES
 - * SWIVELLING SEAT DISKS
 - * HOT SIDE STEM - RIGHT HAND
 - * COLD SIDE STEM - LEFT HAND
 - * STAINLESS STEEL SEATS
 - * STAINLESS STEEL SEAT SCREWS
 - * STAINLESS STEEL HANDLE SCREWS
 - * 1/2" SLIP JOINT KIT
- HOSE**
- * 36" LENGTH
 - * STAINLESS STEEL END FITTINGS
 - * STAINLESS STEEL EXTERNAL JACKET
 - * 3 PLY FIBER REINFORCED INTERNAL RUBBER HOSE
 - * REPAIRABLE IN FIELD WITH SIMPLE TOOLS
- ULTRA SPRAY VALVE**
- * LOWEST ENERGY USER - 1.15 GPM @ 60 PSI
 - * CLEANS FASTER - TEST PROVEN
 - * ENGINEERED TO LAST - NO 'O' RINGS TO LEAK
 - * INTERCHANGEABLE - FITS ALL BRANDS
- WALL BRACKET**
- * ADJUSTS FROM 2" TO 12"
- SYSTEM LIMITS**
- * TEMP: 40°F MIN. TO 140°F MAX.
 - * PRESSURE: 200 PSI MAX. STATIC
- SHIPPING WEIGHT**
- * 12.0 LBS



FISHER
 FISHER MANUFACTURING COMPANY
 TOLL FREE: 800-421-6162 - FAX: 800-832-8238
 information@fisher-mfg.com - www.fisher-mfg.com