

**APPLICATION:**

**JOB NAME:**

**QUANTITY:**                      **ITEM NO.**

**PRODUCT NAME:**

**PRE-RINSE SPRG SINGLE DECK DUAL CTL WITH WALL BRACKET & ADD-ON FAUCET**

**SPECIAL CONFIGURATION**  
 **CHECK BASE MODEL AND OPTIONS**

**MODEL:**

34169 WITH 6" SWING SPOUT

34177 WITH 8" SWING SPOUT

34185 WITH 10" SWING SPOUT

34193 WITH 12" SWING SPOUT

34207 WITH 14" SWING SPOUT

34215 WITH 16" SWING SPOUT

**OPTIONS OR MODIFICATIONS:**

SUPPLY LINES (24" OR 36") CIRCLE LENGTH

BACKFLOW PREVENTER

BRUSH

VANDAL RESISTANT KIT

HANDLES (CROSS OR WRIST) CIRCLE STYLE

OTHER

**FEATURES:**

**MAIN CONTROL VALVE:**

- \* SINGLE DECK, DUAL CONTROL
- \* INTERNAL SPRING LOADED CHECK VALVES
- \* SWIVELING SEAT DISKS
- \* HOT SIDE STEM - RIGHT HAND CHECK
- \* COLD SIDE STEM - LEFT HAND CHECK
- \* STAINLESS STEEL SEATS, SEAT SCREWS AND HANDLE SCREWS

**ADD-ON CONTROL VALVE**

- \* STEM - RIGHT HAND SWIVEL
- \* HOT INDEX BUTTON
- \* SWIVELING SEAT DISKS
- \* STAINLESS STEEL SEATS, SEAT SCREWS AND HANDLE SCREWS.

**HOSE**

- \* 36" LENGTH
- \* STAINLESS STEEL END FITTINGS
- \* STAINLESS STEEL EXTERNAL JACKET
- \* 3-PLY FIBER REINFORCED INTERNAL RUBBER HOSE
- \* REPAIRABLE IN FIELD WITH SIMPLE TOOLS

**ULTRA SPRAY VALVE**

- \* LOWEST ENERGY USER - 1.15 GPM @ 60 PSI
- \* CLEANS FASTER - TEST PROVEN
- \* ENGINEERED TO LAST - NO 'O' RINGS TO LEAK
- \* INTERCHANGEABLE - FITS ALL BRANDS

**WALL BRACKET**

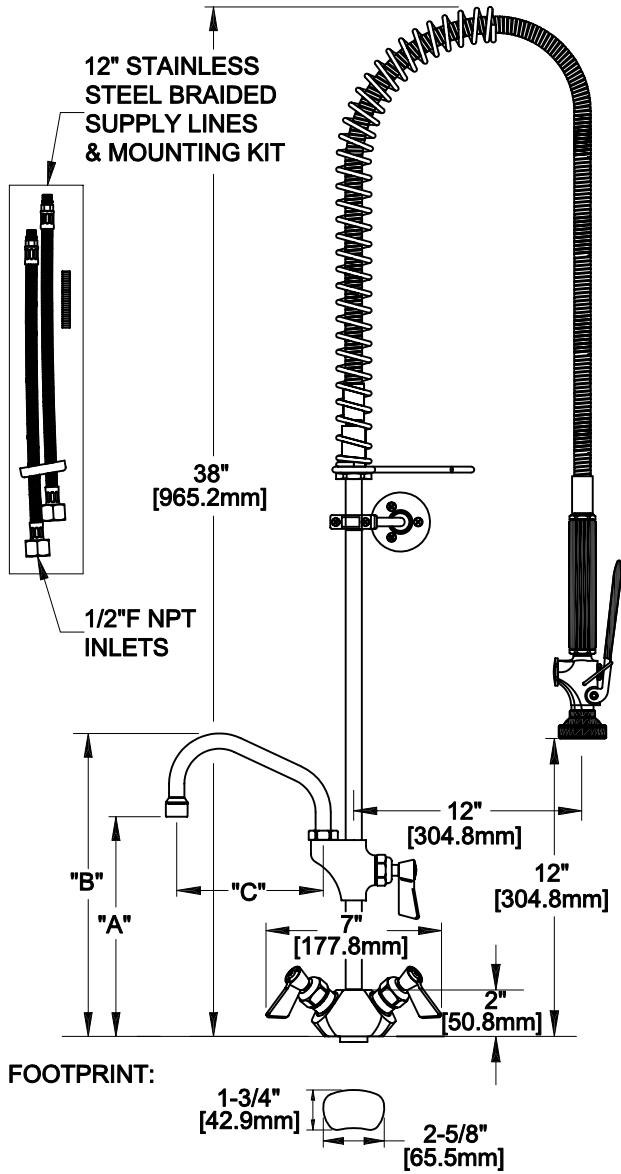
- \* ADJUSTS FROM 2" TO 12"

**SYSTEM LIMITS**

- \* TEMP: 40°F MIN. TO 140°F MAX. STATIC
- \* PRESSURE 200 PSI MAX. STATIC

**SHIPPING WEIGHT:**

- \* 15.0 LBS



ROUGH-IN	MODEL	DIM "A"	DIM "B"	DIM "C"
	34169	8-3/4" [221.3mm]	12-3/8" [313.3mm]	6" [152.4mm]
	34177	9" [227.6mm]	12-7/8" [326.0mm]	8" [203.2mm]
	34185	9-5/8" [243.5mm]	13-3/8" [340.3mm]	10" [254.0mm]
	34193	10-1/4" [259.4mm]	13-7/8" [351.4mm]	12" [304.8mm]
	34207	10-7/8" [275.2mm]	14-3/4" [373.7mm]	14" [355.6mm]
	34215	11-5/8" [294.3mm]	15-3/8" [389.5mm]	16" [406.4mm]