

APPLICATION:

JOB NAME:

PRODUCT NAME:
PRE-RINSE SPRING 4" C/C BACKSPLASH WITH WALL BRACKET & ADD-ON FAUCET

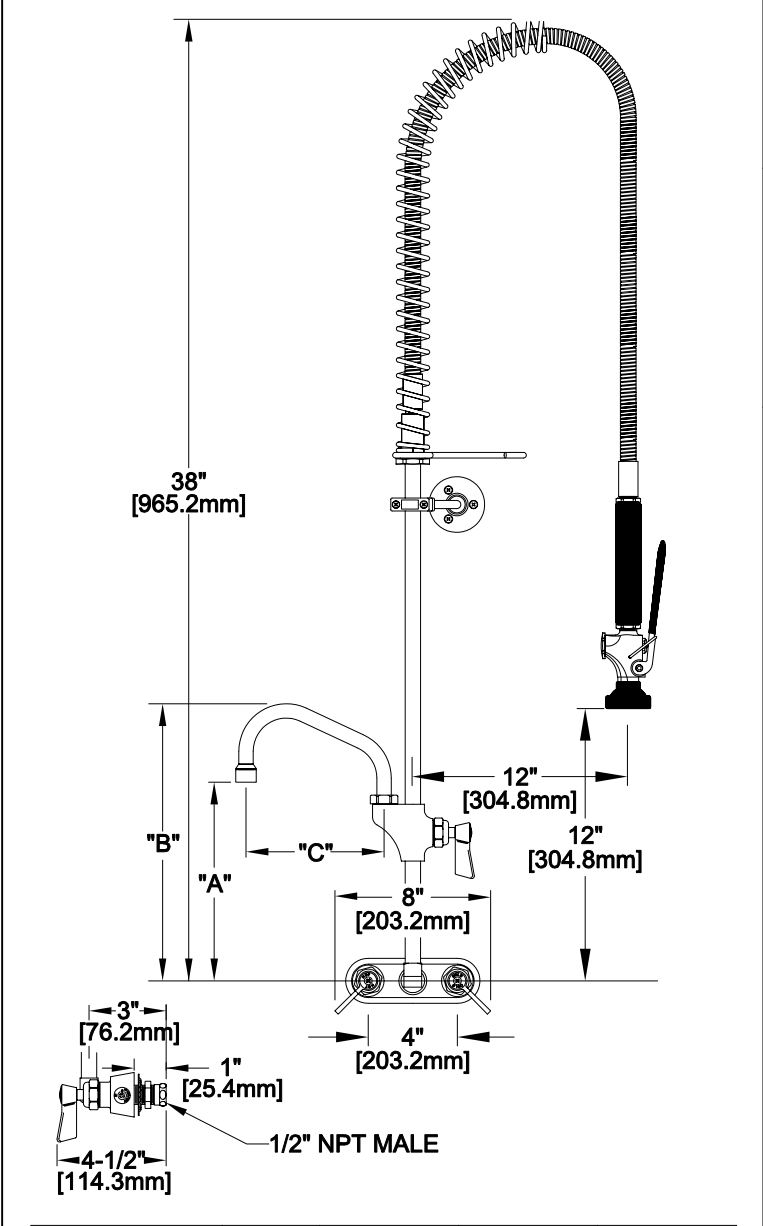
SPECIAL CONFIGURATION
 CHECK BASE MODEL AND OPTIONS

QUANTITY:

ITEM NO.

MODEL:

- 34495 WITH 6" SWING SPOUT
- 34509 WITH 8" SWING SPOUT
- 34517 WITH 10" SWING SPOUT
- 34525 WITH 12" SWING SPOUT
- 34533 WITH 14" SWING SPOUT
- 34541 WITH 16" SWING SPOUT



OPTIONS OR MODIFICATIONS:

- SUPPLY LINES (24" OR 36") CIRCLE LENGTH
- ADD-ON FAUCET (6", 8", 10", 12", 14", 16") CIRCLE
- IN-LINE DUAL CHECK VALVE
- BRUSH
- VANDAL RESISTANT KIT
- HANDLES (CROSS OR WRIST) CIRCLE STYLE
- OTHER _____

FEATURES:

MAIN CONTROL VALVE

- * 4" C/C BACKSPLASH
- * INTERNAL SPRING LOADED CHECK VALVES
- * SWIVELLING SEAT DISKS
- * HOT SIDE STEM - LEFT HAND CHECK
- * COLD SIDE STEM - RIGHT HAND CHECK
- * STAINLESS STEEL SEATS, SEAT SCREWS AND HANDLE SCREWS

ADD-ON CONTROL VALVE

- * STEM - RIGHT HAND
- * HOT INDEX BUTTON
- * SWIVELLING SEAT DISKS
- * STAINLESS STEEL SEATS, SEAT SCREWS AND HANDLE SCREWS

HOSE

- * 36" LENGTH
- * STAINLESS STEEL END FITTINGS
- * STAINLESS STEEL EXTERNAL JACKET
- * 3-PLY FIBER REINFORCED INTERNAL RUBBER HOSE
- * REPAIRABLE IN FIELD WITH SIMPLE TOOLS

ULTRA SPRAY VALVE

- * LOWEST ENERGY USER - 1.15 GPM @ 60 PSI
- * CLEANS FASTER - TEST PROVEN
- * ENGINEERED TO LAST - NO 'O' RINGS TO LEAK
- * INTERCHANGEABLE - FITS ALL BRANDS

WALL BRACKET

- * ADJUSTS FROM 2" TO 12"

SYSTEM LIMITS

- * TEMP: 40°F MIN. TO 140°F MAX. STATIC
- * PRESSURE 200 PSI MAX. STATIC
- * SHIPPING WEIGHT: 14.0 LBS

ROUGH-IN	MODEL	DIM "A"	DIM "B"	DIM "C"
<p>Ø7/8" [22.2mm]</p> <p>4" [101.6mm]</p>	34495	8-3/4" [221.3mm]	12-3/8" [313.3mm]	6" [152.4mm]
	34509	9" [227.6mm]	12-7/8" [326.0mm]	8" [203.2mm]
	34517	9-5/8" [243.5mm]	13-3/8" [340.3mm]	10" [254.0mm]
	34525	10-1/4" [259.4mm]	13-7/8" [351.4mm]	12" [304.8mm]
	34533	10-5/8" [275.0mm]	14-3/4" [373.7mm]	14" [355.6mm]
	34541	11-1/2" [292.1mm]	15-3/8" [389.5mm]	16" [406.4mm]