

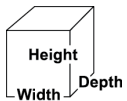
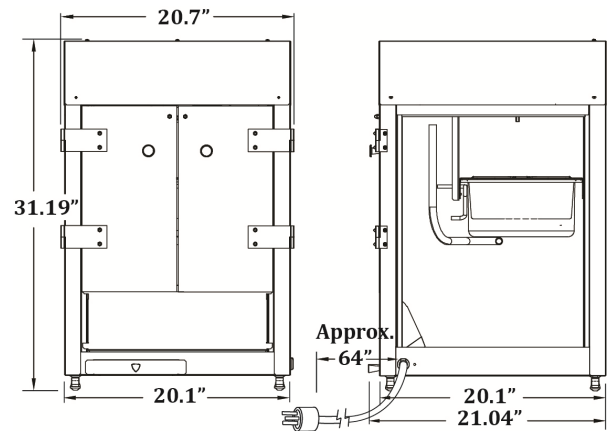


**GOLD MEDAL® PRODUCTS CO.**

# Pop Maxx 12/14 oz.

Model No. 2552

## Specifications



### Overall Dimensions:

**Width:** 20.7" (52.6 cm)  
**Depth:** 21.04" (53.5 cm)  
**Height:** 31.19" (79.2 cm)

### Features:

- 12/14 oz. Stainless Steel Kettle
- No lighted sign
- Ideal Cart, Model No. 2148ST (sold separately); requires Spacer 13318 (sold separately).

### Electrical - Domestic

120V  
1380 WATTS 60 Hz  
(NEMA 5-15P) Plug

**Plug Type:**      **Agency Approvals:**



**Gold Medal Products Co.**  
10700 Medallion Drive, Cincinnati, OH 45241

Ph: (513) 769-7676, (800) 543-0862; Fax: (513) 769-8500  
gmpopcorn.com    info@gmpopcorn.com