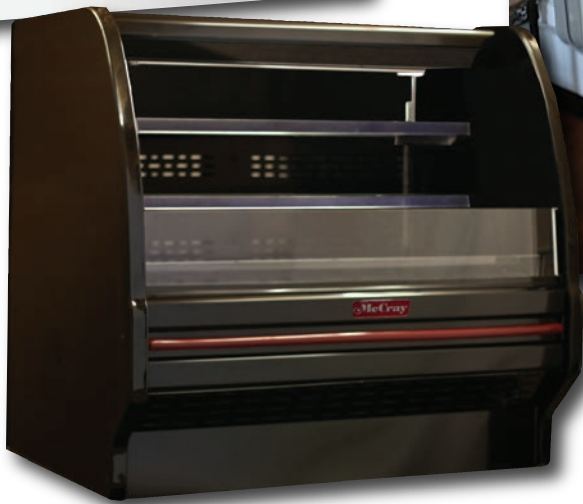


# Product Specifications Sheets

## Open Merchandisers 40E Series – Endless Design - Curved Multi Purpose



Model No.	Description	Length	Depth	Height	Voltage	Amps	HP/BTUs	Power Cord	Est. Ship Weight
<b>SC-OD40E-3L</b>	Self Contained	39"	40"	53"	115	14	1/2	5-20P	655
<b>SC-OD40E-4L</b>	Self Contained	51"	40"	53"	115	15	1/2	5-20P	685
<b>SC-OD40E-6L</b>	Self Contained	75"	40"	53"	115/208-230	16	3/4	L14-20P	850
<b>R-OD40E-3L</b>	Remote	39"	40"	53"	115	2.0	3550	No	520
<b>R-OD40E-4L</b>	Remote	51"	40"	53"	115	3.0	4733	No	550
<b>R-OD40E-6L</b>	Remote	75"	40"	53"	115	3.0	7100	No	710

MODEL NUMBER PREFIX - SC = Self Contained R = Remote  
 MODEL NUMBER SUFFIX - W = White B = Black S = Stainless Steel LED = LED lighting  
 • Cases are designed to operate at 75 degrees Fahrenheit and 55% relative humidity  
 • Cases are equipped with drains; check your local building codes for connection requirements.  
 • Specification subject to change without notice  
 IF COLORS ARE MIXED AN ADDITIONAL CHARGE WILL APPLY



## Open Merchandisers 40E Series – Endless Design - Curved Multi Purpose

### Standard Specifications and Optional Features

#### CONSTRUCTION

- Foamed in place CFC free foam
- Heavy gauge steel super structure
- Multi deck

#### INTERIOR

- Removable floor pans
- Perforated rear wall (*for even air distribution*)
- Full length lighting at top of unit
- 2 levels of shelving
- 3 levels of product display
- Stylish tag molding on each shelf

#### EXTERIOR

- Removable front grille allows for cleaning and servicing
- 1" designer gray/black bumper
- White, black or stainless steel exterior
- White, black or stainless steel interior
- White, black or stainless steel end trim

#### FINISHES

- White, black, or stainless steel end panels
- White, black, or stainless steel front rail
- White, black, or stainless steel front color band
- White, black, or stainless steel end trim
- Coated galvanized rear

#### LIGHTING

- 1 row at inside top of unit T8 or LED
- Option lit shelves

#### ELECTRICAL REQUIREMENTS

- Cord and Plug
- 3' - 4' 115V, 5-20P,
- 6' 115/208/230, L14-20P
- See Tech page for details on voltage

#### REFRIGERATION

- R404A expansion valve system
- Low velocity fans located below deck area (*to insure even flow of air*)
- Electronic Control System Maintains Balanced Temperatures
- Air screen technology
- Self contained system
- Copeland hermetic unit
- Remotes available
- UL/CUL listed UL Classified to ANSI/NSF7

#### OPTIONS

- Laminated or paint exterior
- Night covers
- Security cover
- Step shelves
- Condensate pan-seperate electrical requirement
- Insulated divider for line ups
- Insulated divider for line ups w/40EC service cases
- Plexiglas divider for line ups
- Product stops on shelving
- Digital thermometer

#### Important Note:

*All refrigerated cases are designed to operate in an environment of 75 degrees and 55% relative humidity. Product must be cooled before being displayed within the case.*

**DRAIN IS REQUIRED**

## Open Merchandisers 40E Series – Endless Design - Curved Multi Purpose Technical Data

Model No.	SC R	SC-OD40E-3L R-OD40E-3L	SC-OD40E-4L R-OD40E-3L	SC-OD40E-3L R-OD40E-3L
Length with (2) ends		39"	51"	75"
Length without ends		36"	48"	72"
Height with ends		53"	53"	53"
Height without ends		52"	52"	52"
Depth with ends		40"	40"	40"
Depth without ends		39"	39"	39"
Endless design		YES	YES	YES
(Dimensions are +/- 1/4")				
Operating temperature		36°F to 40°F	36°F to 40°F	36°F to 40°F
Refrigerant (expansion valve)	SC	R404A	R404A	R404A
Compressor size HP	SC	1/2	1/2	3/4
Defrost per day (24 hours)	Air Defrost	3 @ 30 min.	3 @ 30 min.	3 @ 30 min.
BTU's at +20°F Evap. Temp.	R	3550	4733	7100
Voltage	SC	115	115	115/208-230
Amperage	SC	14	15	16
Remote Voltage	R	115	115	115
Amperage, lights only	R	2.0	3.0	3.0
Cord and plug	SC	5-20P	5-20P	L14-20P
	R	NO	NO	NO
Exterior color		W, B, S	W, B, S	W, B, S
Interior color		W, B, S	W, B, S	W, B, S
# of shelves		2	2	2
Shelf size depth		(1) 14" (1) 16"	(1) 14" (1) 16"	(1) 14" (1) 16"
<b>Shipping Info</b>				
Height		58"	58"	58"
Depth		47"	47"	47"
Length		61"	61"	87"
Gross weight SC/R		665/520	685/550	850/710
Cubic feet		100	100	137

(ALL WHITE OR ALL BLACK, NO EXTRA CHARGE—IF COLORS ARE MIXED AN ADDITIONAL CHARGE WILL APPLY)

**Prefix**

SC = Self Contained  
R = Remote

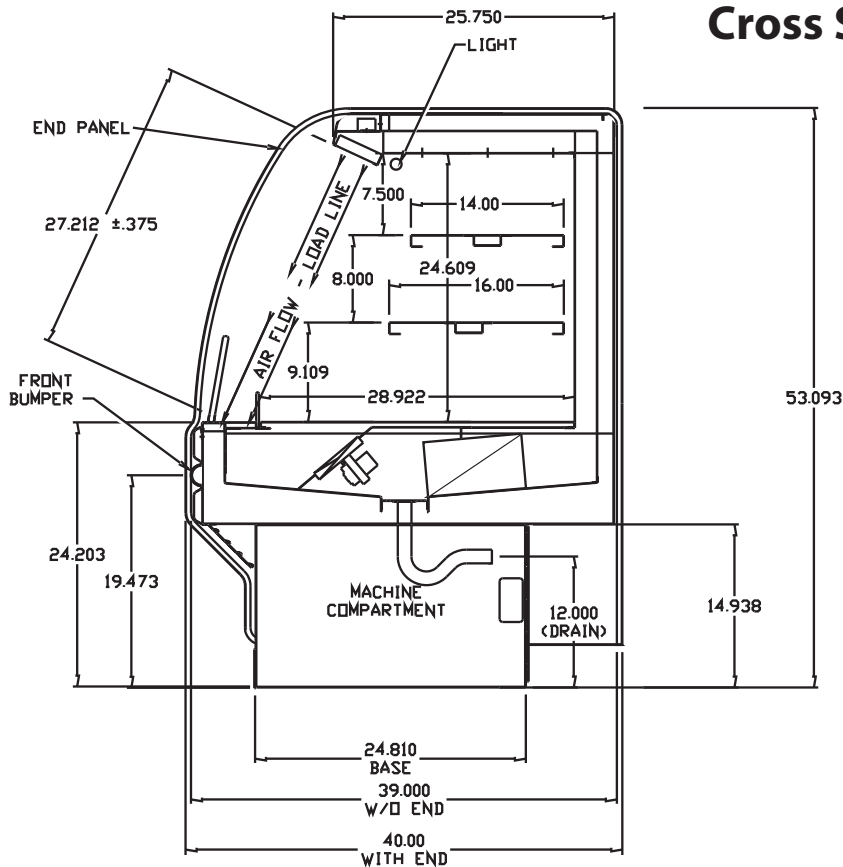
**Suffix**

B = Black  
W = White  
SS = Stainless Steel  
LS = T8 lighting  
LED = LED lighting

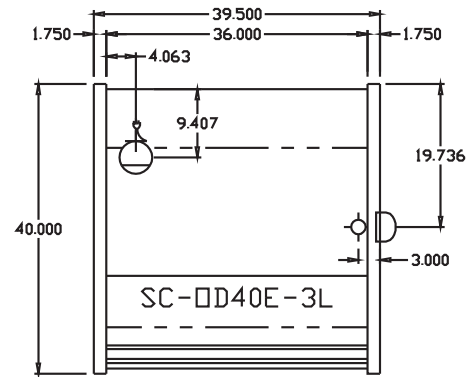
- Cases are designed to operate at 75 degrees Fahrenheit and 55% relative humidity
- Cases are equipped with drains; check your local building codes for connection requirements.
- Specification subject to change without notice

## Open Merchandisers 40E Series – Endless Design - Curved Multi Purpose

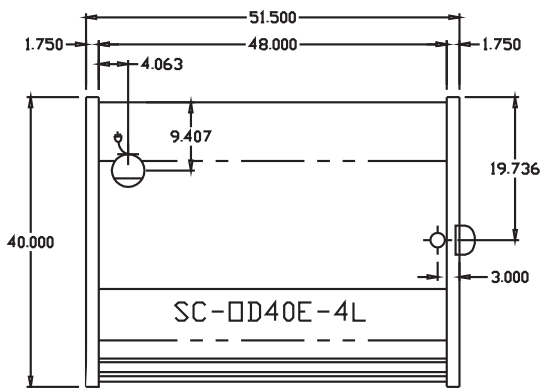
### Technical Data • Side View • Plan View



### Plan View



### Plan View



### Plan View

