

SF Series Reach-In Freezers



Model No.	Description	Length	Depth	Height W/Casters	Voltage	Amps	HP/BTUs	Power Cord	Est. Ship Weight
Freezers / Frozen Food									
SF22-FF	One Door	26.50"	36.84"	83.00"	115	12.0	1/2	5-15P	373
SF48-FF	Two Door	52.25"	36.84"	83.00"	115	16.0	1/2	5-20P	710
SF75-FF	Three Door	78.00"	36.84"	83.00"	115/208-230	12.0	3/4	L14-20P	790
R-SF22-FF	One Door	26.50"	36.84"	83.00"	115	9.6	1556 BTUs	NO	328
R-SF48-FF	Two Door	52.25"	36.84"	83.00"	115	14.0	2100 BTUs	NO	516
R-SF75-FF	Three Door	78.00"	36.84"	83.00"	115/208-230	8.6	3400 BTUs	NO	720
Freezers / Low Temp									
SF22-LT	One Door	26.50"	36.84"	83.00"	115	12.0	1/2	5-15P	373
SF48-LT	Two Door	52.25"	36.84"	83.00"	115	16.0	3/4	5-20P	710
SF75-LT	Three Door	78.00"	36.84"	83.00"	115/208-230	12.0	1	L14-20P	790
R-SF22-LT	One Door	26.50"	36.84"	83.00"	115	9.6	1694 BTUs	NO	328
R-SF48-LT	Two Door	52.25"	36.84"	83.00"	115	14.0	2400 BTUs	NO	516
R-SF75-LT	Three Door	78.00"	36.84"	83.00"	115/208-230	8.6	2900 BTUs	NO	720

MODEL NUMBER PREFIX - SC = Self Contained R = Remote
 MODEL NUMBER SUFFIX - W = White B = Black S = Stainless Steel LED = LED lighting
 • Cases are designed to operate at 75 degrees Fahrenheit and 55% relative humidity
 • Cases are equipped with drains; check your local building codes for connection requirements.
 • Specification subject to change without notice
 IF COLORS ARE MIXED AN ADDITIONAL CHARGE WILL APPLY



Standard Specification and Optional Features

CONSTRUCTION

- UL Classified to ANSI/NSF 7
- Top mounted condensing unit
- 5" heavy duty casters
- Foamed in place CFC free foam
- Externally mounted digital display
- Heavy duty edge mount hinges
- Self closing doors

INTERIOR

- 3 epoxy coated shelves per door
- Aluminum interior

EXTERIOR

- Stainless front and doors
- Aluminum end panels
- Heavy duty door locks
- Horizontal mounted handle
- Frame heater minimizes moisture around door

FREEZER

- SC Units - R404A condensing unit
- R Units - R407A expansion valve
- Electronically controlled with audio alarm
- Automatic air defrost
- 115V
- 3 Door units 115V/208-230
- Cord and plug included
- UL/CUL listed

LIGHTING

- Automatic interior light activates when door is opened

OPTIONS

- Stainless steel outside ends
- Stainless steel interior
- Laminated door, grill, sides
- Door swing change
- 6" legs top mount units only
- Pan slides
- Extra shelf
- Half-door or glass doors
- Cantilever shelves

Technical Data

Model No.	SF22-FF R-SF22-FF	SF48-FF R-SF48-FF	SF75-FF R-SF75-FF
Length	26.50"	52.25"	78.00"
Height with casters	83.00"	83.00"	83.00"
Depth w/drain line & handle	36.84"	36.84"	36.84"
(Dimensions are +/- 1/4")			
Cubic capacity	22	48	75
Door size	(1) 23.75" x 62.25"	(2) 23.75" x 62.25"	(3) 23.75" x 62.25"
Shelf size	(3) 20.75" x 26.188"	(3) 23.00" x 26.188"	(3) 25.25" x 26.188" (6) 23.00" x 26.188"
Shipping Info			
Height	82.00"	82.00"	82.00"
Depth	44.00"	44.00"	44.00"
Length	31.00"	58.00"	84.00"
Gross weight Refrigerators SC/R	328/228	516/401	720/595
Gross weight Freezers SC/R	373/328	710/516	790/720
Cubic feet	73'	118'	171'

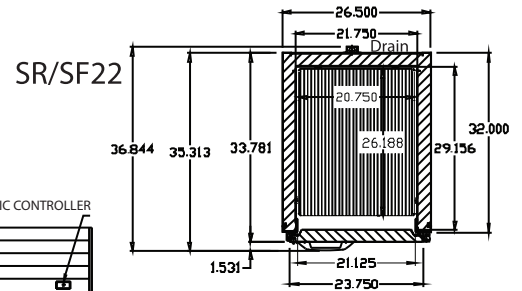
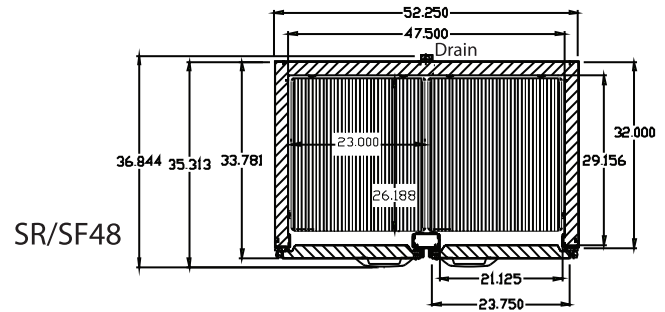
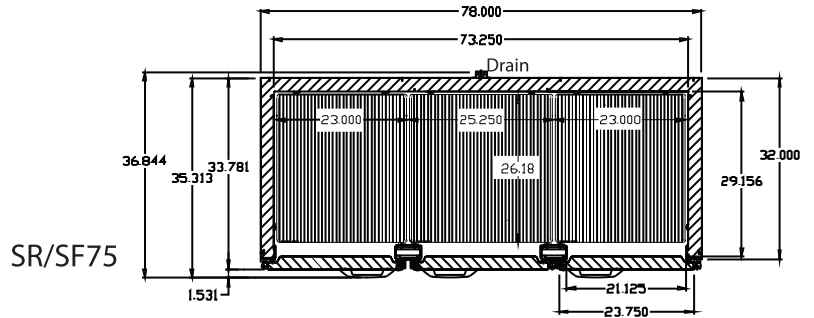
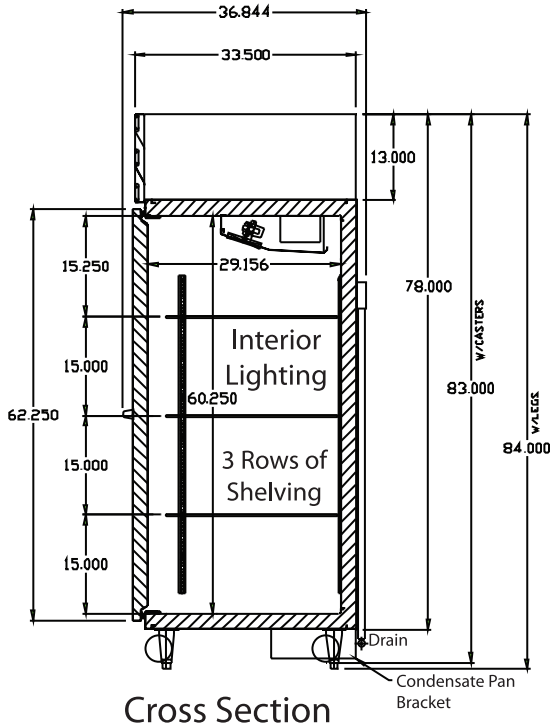
SF Series Reach-In Freezers

Technical Data

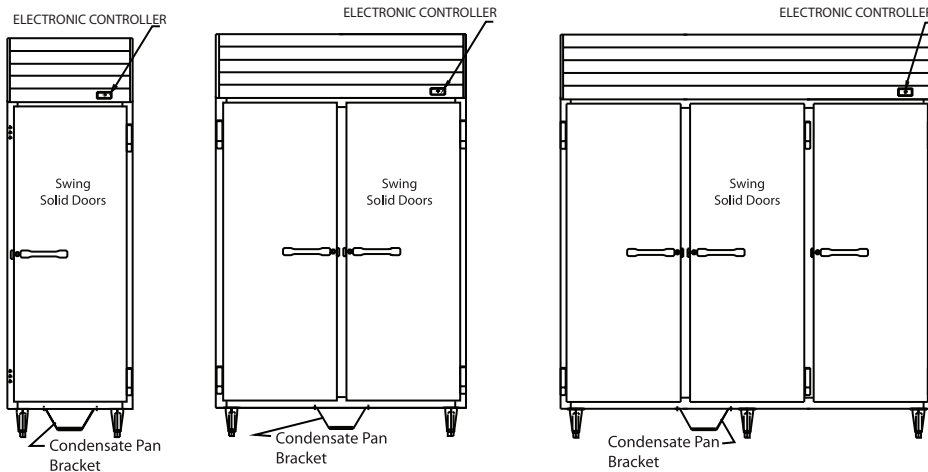
Model No. FREEZERS- FROZEN FOODS	SC R	SF22-FF R-SF22-FF	SF48-FF R-SF48-FF	SF75-FF R-SF75-FF
Operating temperature		-5°F to 5°F	-5°F to 5°F	-5°F to 5°F
Refrigerant	SC	R404A	R404A	R404A
Expansion Valve	R	R407A	R407A	R407A
Compressor size HP	SC	1/2	1/2	3/4
Refrigeration system		Electronic controlled	Electronic controlled	Electronic controlled
Defrost per day (24hrs)	Electric	1 per day	1 per day	13 per day
BTU's at -15°F Evap. Temp.	R	1556	2100	3400
Voltage	SC	115	115	115/208-230
Voltage, lights, fans, defrost heaters	R	115	115	115
Amperage	SC	12.0	16.0	12.0
Voltage, lights, fans, defrost heaters	R	9.6	14.0	8.6
Cord and plug	SC	5-15P	5-20P	L14-20P
	R	NO	NO	NO
Model No. FREEZERS- LOW TEMP	SC R	SF22-LT R-SF22-LT	SF48-LT R-SF48-LT	SF75-LT R-SF75-LT
Operating temperature		-0°F+ to -10°F	-0°F+ to -10°F	-0°F+ to -10°F
Refrigerant	SC	R404A	R404A	R404A
Expansion Valve	R	R407A	R407A	R407A
Compressor size HP	SC	1/2	3/4	1
Refrigeration system		Electronic controlled	Electronic controlled	Electronic controlled
Defrost per day (24hrs)	Electric	3 per day	3 per day	3 per day
BTU's at -25°F Evap. Temp.	R	1694	2400	2900
Voltage	SC	115	115	115/208-230
Voltage, lights, fans, defrost heaters	R	115	115	115
Amperage	SC	12.0	16.0	12.0
Voltage, lights, fans, defrost heaters	R	9.6	14.0	8.6
Cord and plug	SC	5-15P	5-20P	L14-20P
	R	NO	NO	NO

Specification subject to change without notice

Technical Data • Side View • Plan View



Plan Views



Front View