



ITEM #: \_\_\_\_\_ QTY: \_\_\_\_\_  
 MODEL #: \_\_\_\_\_  
 PROJECT NAME: \_\_\_\_\_

050218

3601 S. Banker St. Effingham, IL 62401 • P.O. BOX 609 • Ph: (888) 431-2667 • Fax: (800) 433-2667

## “BBSS” CUCINA CLASSICO

### FEATURES:

- FOOD SERVICE GRADE STAINLESS STEEL 16/300
- POLISHED BULLNOSE CORNERS AND EDGES
- ADJUSTABLE FEET
- SHIPPED KNOCKED DOWN, 1 CARTON, UPSABLE
- OPTIONS: SET OF 4 - 5" LOCKING CASTERS: CAS01-R



CUCNB08-40

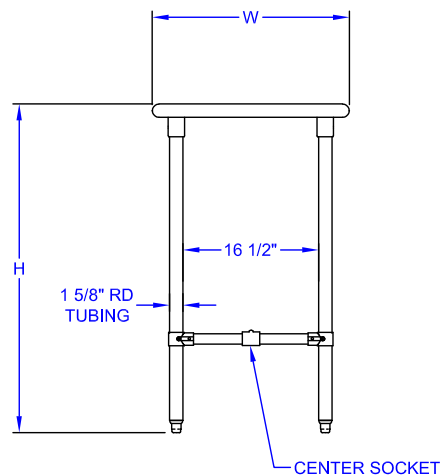
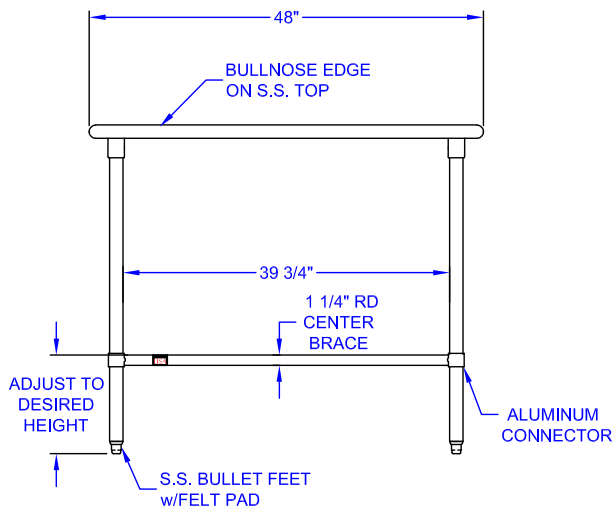
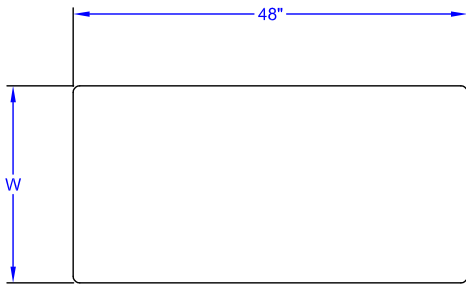


CAS01-R

### CUCINA CLASSICO

MODEL #	QTY
BBSS4824	
BBSS4824-40	
BBSS4830	
BBSS4830-40	

# DETAILED SPECIFICATIONS



## CUCINA CLASSICO

MODEL #	SIZE	HEIGHT	WEIGHT (LBS)
BBSS4824	48" X 24"	36"	54
BBSS4824-40	48" X 24"	40"	56
BBSS4830	48" X 30"	36"	60
BBSS4830-40	48" X 30"	40"	62

SOME UNITS SHIP UNASSEMBLED FOR REDUCED SHIPPING COST. ALL DIMENSIONS ARE TYPICAL. TOLERANCE +/- .500"  
 John Boos & Co. is constantly engaged in a program of improving products and therefore reserves the right to change specifications without prior notice.



Boos  
lock

AQ AutoQuotes

3601 S. Banker St. • Effingham, IL 62401 • PO BOX 609 • quotes@johnboos.com

[www.johnboos.com](http://www.johnboos.com)

030318

231