



**John
BOOS**
Since 1887

ITEM #: _____ QTY: _____
 MODEL #: _____
 PROJECT NAME: _____

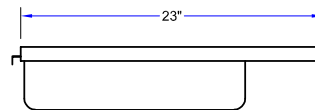
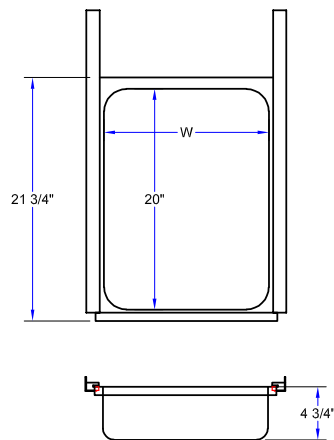
122717

3601 S. Banker St. Effingham, IL 62401 • P.O. BOX 609 • Ph: (888) 431-2667 • Fax: (800) 433-2667

"DP" FRICTION SLIDE DRAWERS - POLY

FEATURES:

- STAINLESS STEEL DEEP DRAWN DRAWER W/ PULL FLANGE
- POLYMER FRICTION SLIDES



FRICTION SLIDE DRAWERS - POLY

WOOD TOP / SBO & SBS TABLES	QTY	STAINLESS STEEL TOP / POLY TOP TABLES	QTY	DESCRIPTION	WIDTH	DEPTH	WEIGHT (LBS)
DP2015-W		-		FOR WOOD TOP TABLES	15"	20"	12
-		DP2015-S24		FOR S/S AND POLY TOP TABLES 24" WIDE	15"	20"	6
-		DP2015-S30		FOR S/S AND POLY TOP TABLES 30" WIDE	15"	20"	6
-		DP2015-S36		FOR S/S AND POLY TOP TABLES 36" WIDE	15"	20"	6
DP2020-W		-		FOR WOOD TOP TABLES	20"	20"	8
-		DP2020-S24		FOR S/S AND POLY TOP TABLES 24" WIDE	20"	20"	8
-		DP2020-S30		FOR S/S AND POLY TOP TABLES 30" WIDE	20"	20"	8
-		DP2020-S36		FOR S/S AND POLY TOP TABLES 36" WIDE	20"	20"	8

SOME UNITS SHIP UNASSEMBLED FOR REDUCED SHIPPING COST. ALL DIMENSIONS ARE TYPICAL. TOLERANCE +/- .500"

John Boos & Co. is constantly engaged in a program of improving products and therefore reserves the right to change specifications without prior notice.