



**John
BOOS**
Since 1887

ITEM #: _____ QTY: _____

MODEL #: _____

PROJECT NAME: _____

030218

3601 S. Banker St. Effingham, IL 62401 • P.O. BOX 609 • Ph: (888) 431-2667 • Fax: (800) 433-2667

"WAL-CUCKNB" CUCINA CLASSICO IN WALNUT

FEATURES:

- WALNUT EDGE GRAIN BLENDED TOP WITH VARNIQUE FINISH
- STAINLESS STEEL LEGS AND CENTER BRACING
- OPTIONS: SET OF 4 - 5" LOCKING CASTERS: CAS01-R



WAL-CUCKNB430-40

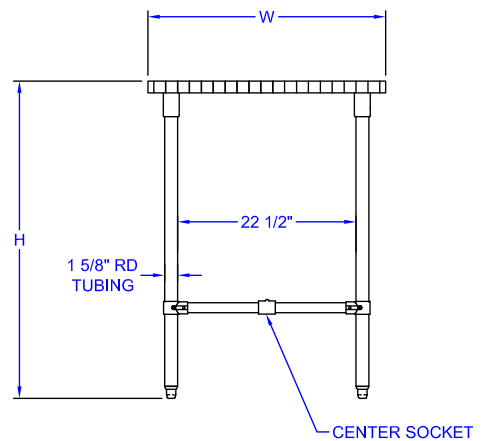
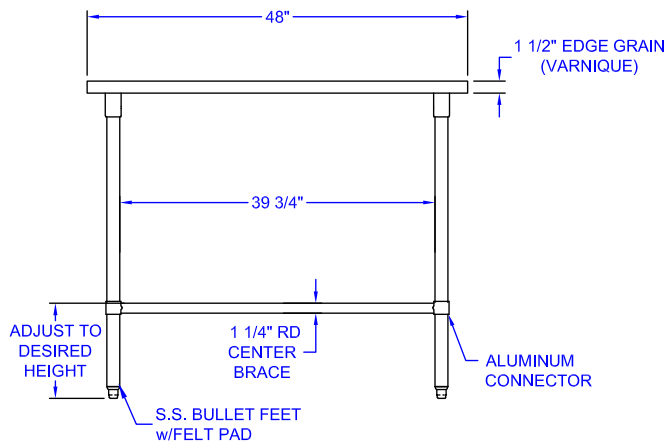
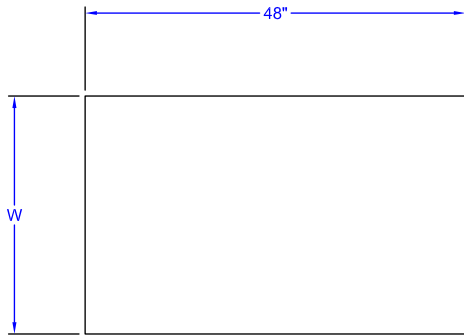


CAS01-R

CUCINA CLASSICO IN WALNUT

MODEL #	QTY
WAL-CUCKNB424	
WAL-CUCKNB424-40	
WAL-CUCKNB430	
WAL-CUCKNB430-40	

DETAILED SPECIFICATIONS



CUCINA CLASSICO IN WALNUT

MODEL #	SIZE	HEIGHT	WEIGHT (LBS)
WAL-CUCKNB424	48" X 24" X 1-1/2"	36"	60
WAL-CUCKNB424-40	48" X 24" X 1-1/2"	40"	65
WAL-CUCKNB430	48" X 30" X 1-1/2"	36"	65
WAL-CUCKNB430-40	48" X 30" X 1-1/2"	40"	70

SOME UNITS SHIP UNASSEMBLED FOR REDUCED SHIPPING COST. ALL DIMENSIONS ARE TYPICAL. TOLERANCE +/- .500"
 John Boos & Co. is constantly engaged in a program of improving products and therefore reserves the right to change specifications without prior notice.



3601 S. Banker St. • Effingham, IL 62401 • PO BOX 609 • quotes@johnboos.com

030218



www.johnboos.com

223