



**John  
BOOS**  
Since 1887

ITEM #: \_\_\_\_\_ QTY: \_\_\_\_\_

MODEL #: \_\_\_\_\_

PROJECT NAME: \_\_\_\_\_

110618

3601 S. Banker St. Effingham, IL 62401 • P.O. BOX 609 • Ph: (888) 431-2667 • Fax: (800) 433-2667

## **"EUBDS-21STD" UNDERBAR HAND SINK** **WITH SOAP AND TOWEL DISPENSER**



### **FEATURES:**

- FABRICATED SINK BOWL: 10" X 12" X 6" DEEP
- REMOVEABLE SCRAP BASKET
- SOAP DISPENSER
- TOWEL DISPENSER
- STAINLESS STEEL LEGS AND BRACING WITH ADJUSTABLE PLASTIC FEET
- 4" ON-CENTER SPLASH MOUNT FAUCET HOLES

### **MATERIAL:**

- TOP: 18GA 300 SERIES STAINLESS STEEL
- BRACING: STAINLESS STEEL
- LEGS: STAINLESS STEEL
- FEET: PLASTIC

### **CONSTRUCTION:**

- STAINLESS STEEL TOPS ARE TIG WELDED, EXPOSED WELDS ARE POLISHED TO MATCH ADJACENT SURFACE.



### **UNDERBAR HAND SINK WITH SOAP AND TOWEL DISPENSER**

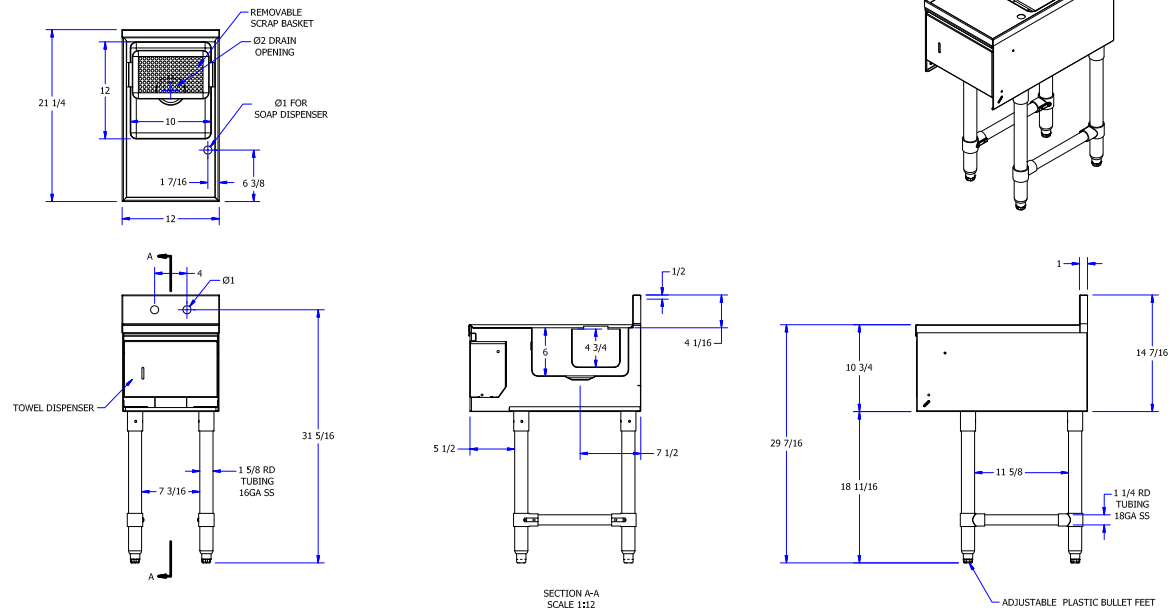
MODEL #	QTY
EUBDS-1221STD	
EUBDS-1521STD	

### **OPTIONAL ACCESSORIES**

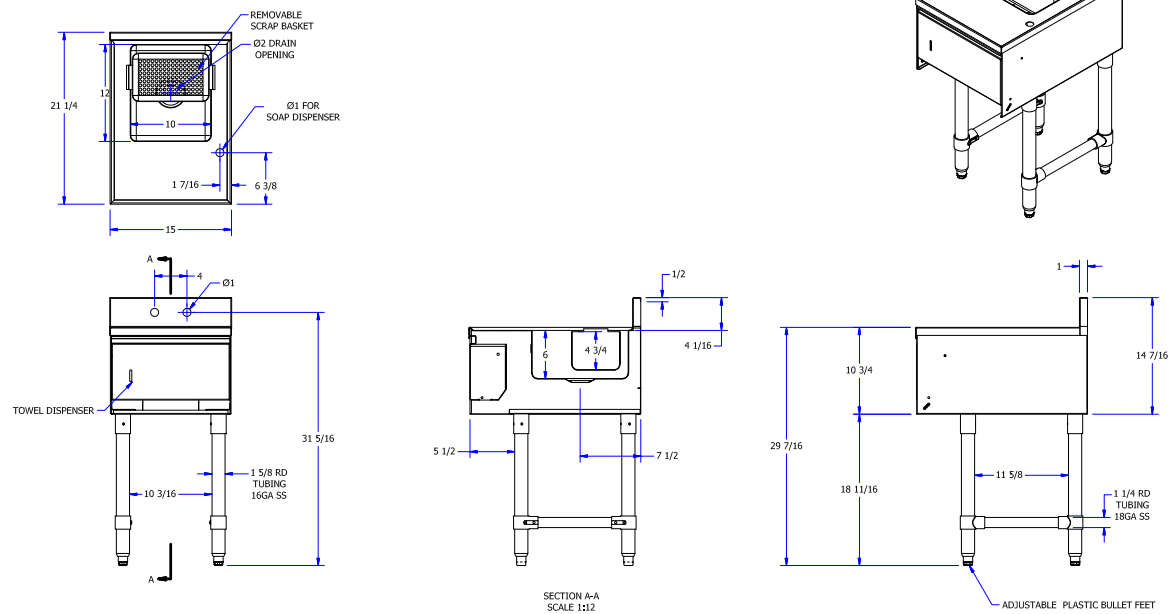
MODEL #	QTY
STAINLESS STEEL LEGS	

# DETAILED SPECIFICATIONS

## EUBDS-1221STD



## EUBDS-1521STD



### UNDERBAR HAND SINK WITH SOAP AND TOWEL DISPENSER



MODEL #	LENGTH	WIDTH	HEIGHT	WT. (LBS)
EUBDS-1221STD	12"	21"	29-1/2"	37
EUBDS-1521STD	15"	21"	29-1/2"	38

WEIGHTS ARE SUBJECT TO ADDITIONAL PACKAGING

SOME UNITS SHIP UNASSEMBLED FOR REDUCED SHIPPING COST. ALL DIMENSIONS ARE TYPICAL. TOLERANCE +/- .500"

John Boos & Co. is constantly engaged in a program of improving products and therefore reserves the right to change specifications without prior notice.



3601 S. Banker St. • Effingham, IL 62401 • PO BOX 609 • quotes@johnboos.com

110618

23



www.johnboos.com