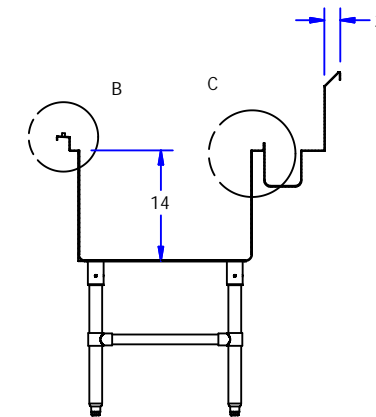
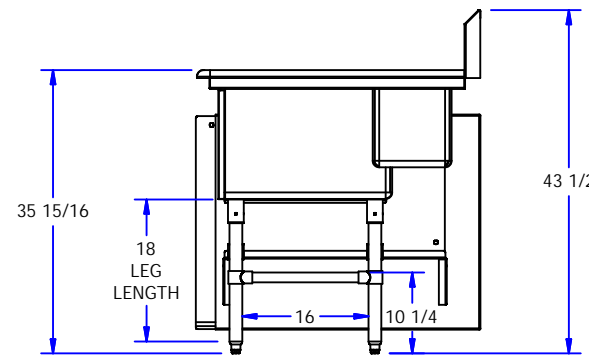
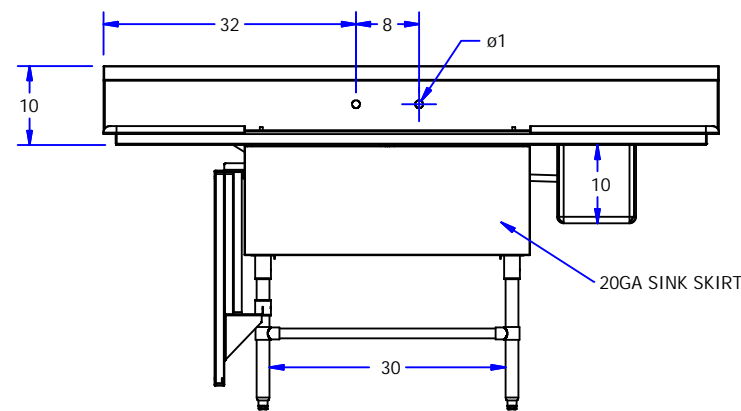
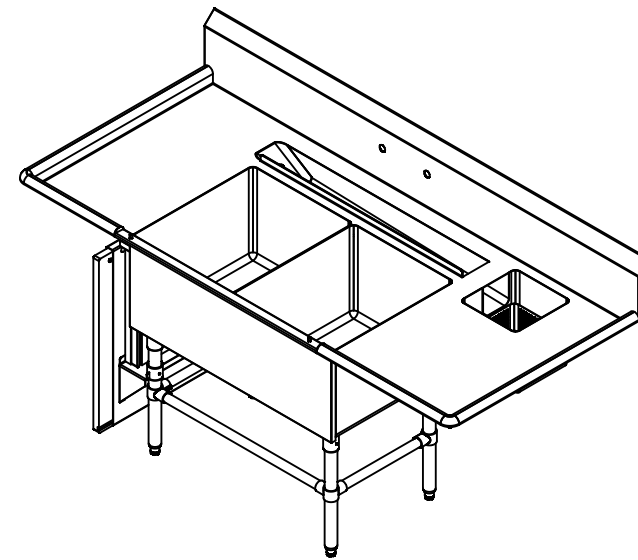
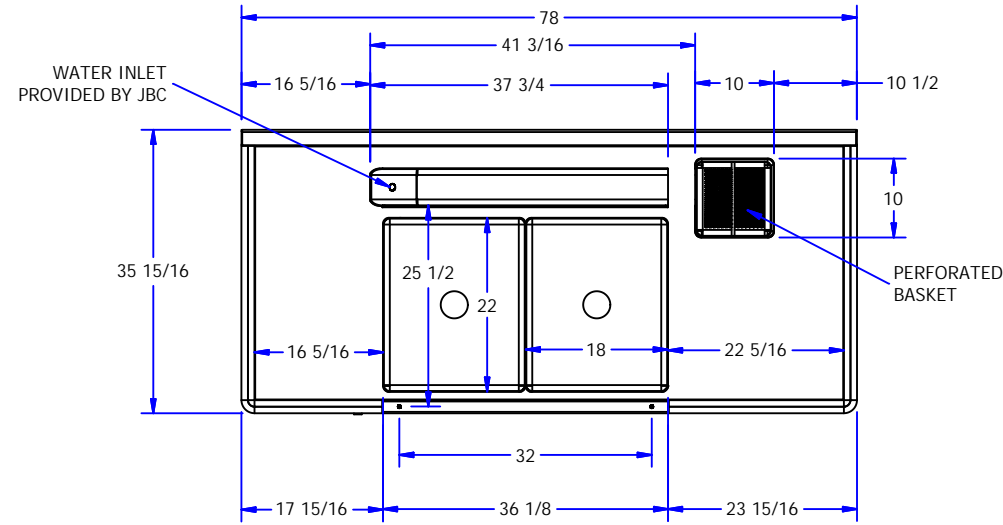


PARTS LIST								
ITEM	QTY	DESCRIPTION	RAW MATERIAL	DRAWING #	LENGTH	WIDTH	FLAT LENGTH	FLAT WIDTH
1	2	GUSSET SS SHELF						
2	4	TUBE RND 1.625 16GA SS	TUBING 1.625 RND - 16GA/300 SS		18.000 in			
3	2	SOCKET BRACE AL 1.25 CORNER	005302					
4	2	SOCKET BRACE AL 1.25 END	005303					
5	2	3_8 SS ROD	300 SS			0.000 in	0.000 in	
6	1	BASKET ROD	300 SS					
7	4	FOOT SS RD BULLET	468-114-R					
8	4	GUSSET SS 1-5/8	468-215-3.125S					
9	2	POLY BOARD	POLYETHYLENE					
10	1	POLY BOARD 3627	POLYETHYLENE					
11	2	POLY BOARD B	POLYETHYLENE					
12	1	10 X 10 PERF BASKET	SHEET 14GA/301 SS				18.650 in	18.650 in
13	1	10 X 10 X 10 BOWL	SHEET 14GA/301 SS				29.150 in	29.150 in

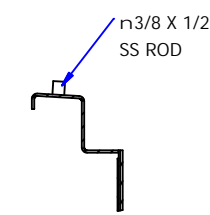
PARTS LIST								
ITEM	QTY	DESCRIPTION	RAW MATERIAL	DRAWING #	LENGTH	WIDTH	FLAT LENGTH	FLAT WIDTH
14	2	182214 BOWL	SHEET 14GA/301 SS				45.170 in	49.170 in
15	1	LOWER POLY HOLDER	SHEET 14GA/301 SS				39.901 in	6.614 in
16	1	POLY ANGLE	SHEET 14GA/301 SS				34.682 in	31.203 in
17	2	ROLL FILLER	SHEET 14GA/301 SS				1.655 in	1.010 in
18	2	SINK CORNER	SHEET 14GA/301 SS				0.000 in	0.000 in
19	1	SINK DECK	SHEET 14GA/301 SS				83.016 in	48.084 in
20	2	SINK PLATE	SHEET 14GA/301 SS				20.500 in	3.357 in
21	1	TROUGH	SHEET 14GA/301 SS				42.432 in	14.066 in
22	1	UPPER POLY HOLDER	SHEET 14GA/301 SS				29.633 in	4.383 in
23	1	SINK SKIRT	SHEET 20GA/301 SS				37.567 in	14.471 in
24	2	BRACING SS F_B	TUBING 1.25 RND - 18GA/300 SS		15.625 in			
25	1	BRACING SS L_R	TUBING 1.25 RND - 18GA/300 SS		29.560 in			

NOTES:	
-	POLY BOARD HOLDER
-	(QTY 3) 1" POLY BOARDS "SEE DETAILS"
-	CUSTOM PERF BASKET
*** CNC WORK REQUIRED ***	

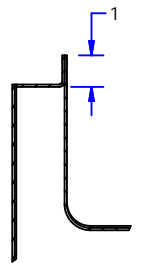
LOOSE HARDWARE:		
QTY	MODEL #	DESCRIPTION



SECTION A-A
SCALE 1 / 24



DETAIL B
SCALE 2 / 12



DETAIL C
SCALE 2 / 12

MFG. INITIALS:	
LAYOUT:	
BRAKE:	
WELDER:	
POLISHER:	
CRATING:	

<input type="checkbox"/> APPROVED
<input type="checkbox"/> APPROVED AS NOTED
<input type="checkbox"/> REVISED & RESUBMIT
APPROVED BY _____
DATE _____

John BOOS
Since 1887

3601 SOUTH BANKER STREET
P.O. BOX 809
EFFINGHAM, IL 62401
PH: 888-431-2667 / FAX: 800-433-2667
E-MAIL: sales@johnboos.com
Web Site: www.johnboos.com

NSF SANITATION

UL US

THIS DRAWING AND THE DESIGN SHOWN ARE THE PROPERTY OF JOHN BOOS & CO. REPRODUCTION, INFRINGEMENT OR ANY OTHER UNAUTHORIZED USE OF THIS DRAWING WITHOUT THE WRITTEN CONSENT OF JOHN BOOS & CO. WILL BE SUBJECT TO LEGAL ACTION.

QUOTE NUMBER:	JOHN BOOS & CO.			
DATE: 3/31/2017	PREP SINK			
SCALE: 1/2" = 1' on B	SHEET NUMBER:	QUANTITY:	DECK 14GA/300 SS	BASE SS
DRAWN BY: TS	QUAD LOCATION:	ITEM NUMBER:	MODEL NUMBER: 42PBPS18224-2D-R	
REQUESTED BY:	ROOM NUMBER:	WEIGHT: 311 lbmass	SALES ORDER NUMBER:	