

ITEM #: _____ QTY: _____
 MODEL #: _____
 PROJECT NAME: _____

062217

3601 S. Banker St. Effingham, IL 62401 • P.O. BOX 609 • Ph: (888) 431-2667 • Fax: (800) 433-2667

"PB-DISINK0911-TD" PRO-BOWL DROP-IN HAND SINK **1 BOWL WITH TOWEL DISPENSER**

FEATURES:

- FABRICATED BOWL
- INCLUDES DRAIN WITH BASKET (PBDR-2)
- (-STD) INCLUDES DECK MOUNT SOAP DISPENSER (PB-SD-DM)
- INTEGRATED TOWEL DISPENSER

MATERIAL:

- 16GA 300 SERIES STAINLESS STEEL DECK
- 18GA 300 SERIES STAINLESS STEEL BASE

CONSTRUCTION:

- TOP: STAINLESS STEEL TOPS ARE TIG WELDED, EXPOSED WELDS POLISHED TO MATCH ADJACENT SURFACE



PB-DISINK091106-STD



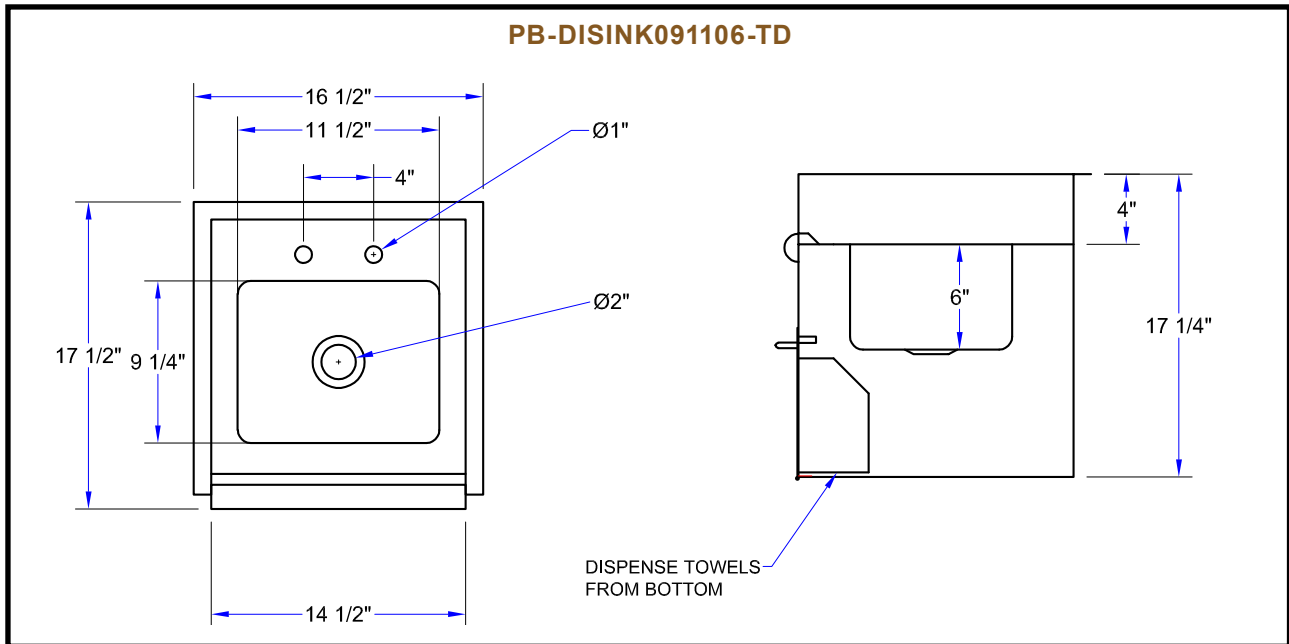
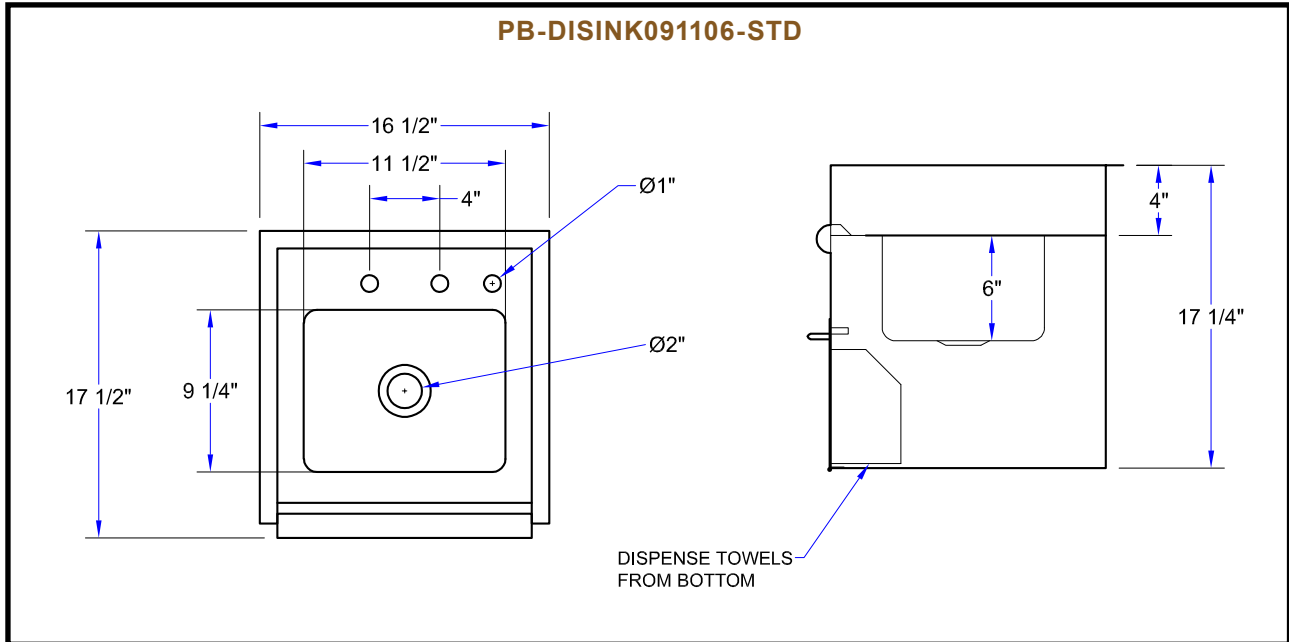
PB-DISINK091106-TD

PRO-BOWL DROP-IN HAND SINKS WITH TOWEL DISPENSER

MODEL #	QTY
PB-DISINK091106-STD	
PB-DISINK091106-TD	

****CALL FACTORY FOR CUT OUT SIZES.****

DETAILED SPECIFICATIONS



PRO-BOWL DROP-IN HAND SINKS WITH TOWEL DISPENSER

MODEL #	BOWL SIZE (L X W X D)	SINK SIZE (L X W X D)	SOAP DISPENSER	WT. (LBS)
PB-DISINK091106-STD	11.5" X 9.25" X 6"	16.5" X 17.5" X 17.25"	PB-SD-DM	30
PB-DISINK091106-TD	11.5" X 9.25" X 6"	16.5" X 17.5" X 17.25"	N/A	27

** SUGGESTED CUTOUT. VERIFY WITH PHYSICAL SINK DIMENSIONS FOR CUTOUT SIZE.

** WEIGHTS ARE SUBJECT TO ADDITIONAL PACKAGING

SOME UNITS SHIP UNASSEMBLED FOR REDUCED SHIPPING COST. ALL DIMENSIONS ARE TYPICAL. TOLERANCE +/- .500"
 John Boos & Co. is constantly engaged in a program of improving products and therefore reserves the right to change specifications without prior notice.



3601 S. Banker St. • Effingham, IL 62401 • PO BOX 609 • quotes@johnboos.com

080618



www.johnboos.com