



ITEM #: _____ QTY: _____
 MODEL #: _____
 PROJECT NAME: _____

011018

3601 S. Banker St. Effingham, IL 62401 • P.O. BOX 609 • Ph: (888) 431-2667 • Fax: (800) 433-2667

"M-1" GALVANIZED WORK TABLES

**W/ 3/4" THICK HIGH DENSITY POLYETHYLENE TOP & 6" REAR RISER
 W/ GALVANIZED BASE & BRACING**



FEATURES:

- 3/4" THICK **HIGH DENSITY POLYETHYLENE TOP** SECTIONED PER NSF REGULATIONS. (ALSO AVAILABLE W/ 1/2" OR 1" THICK HIGH DENSITY POLYETHYLENE & 1-1/2" THICK HARD ROCK MAPLE TOP, STYLE "SCT" FLAT TOP
- 1 PIECE HIGH DENSITY POLYETHYLENE TOP AVAILABLE AT NO EXTRA CHARGE, MUST SPECIFY
- TOP IS HELD IN PLACE BY WELDED CLIPS, REMOVABLE FOR EASE IN CLEANING
- GALVANIZED STEEL BASE & BRACING W/ 6" REMOVABLE BACKSPLASH
- ADJUSTABLE BULLET FEET
- SHIPPED KNOCKED-DOWN, EASY-TO-ASSEMBLE
- APPROVED BY THE NSF & U.S. DEPT. OF AGRICULTURE



MATERIAL:

- TOP: HIGH DENSITY POLYETHYLENE
- FRAME: 1-1/2" SQUARE TUBE 18GA GALVANIZED STEEL
- BRACING: 1-1/4" ROUND O.D. 18GA GALVANIZED STEEL
- LEGS: 1-5/8" ROUND O.D. 16GA GALVANIZED STEEL
- BACKSPLASH: 16GA TYPE 300 STAINLESS STEEL, W/ #4 POLISH SATIN FINISH
- FEET: 1" ADJUSTABLE GALVANIZED STEEL BULLET FEET

CONSTRUCTION:

- TOP: GALVANIZED BSES ARE MIG WELDED.

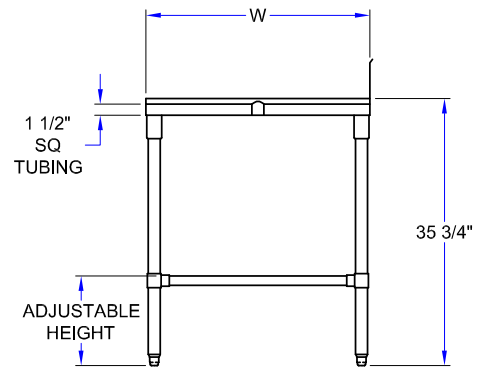
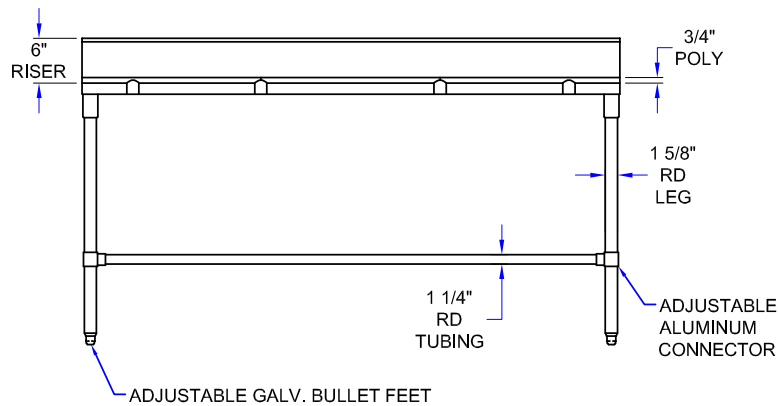
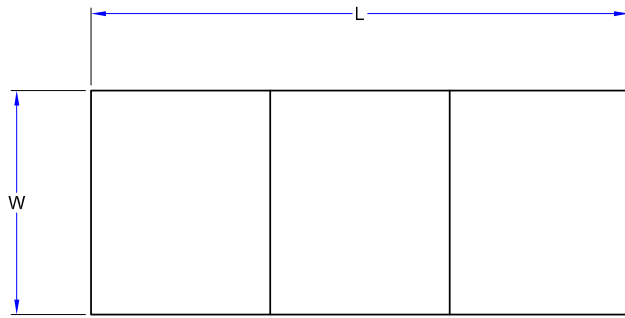
3/4" HIGH DENSITY POLYETHYLENE TOP & BRACING

24" WIDE	QTY	30" WIDE	QTY	36" WIDE	QTY
M022		M029		M036	
M023		M030		M037	
M024		M031		M038	
M025		M032		M039	
M026		M033		M040	
M027		M034		M041	
M027A		M034A		M041A	
M028		M035		M042	

OPTIONAL ACCESSORIES

DESCRIPTION	MODEL #	QTY
DRAWER		
DRAWER LOCK		
CASTERS		
LOWER SHELVES		
MEAT BOAT RACKS		
PAPER HOLDER		
WELDED SET-UP		

DETAILED SPECIFICATIONS



- UNITS 7 FT. AND LARGER ARE FURNISHED WITH SIX LEGS

3/4" HIGH DENSITY POLYETHYLENE TOP & BRACING

L	24" WIDE	WT. (LBS)	30" WIDE	WT. (LBS)	36" WIDE	WT. (LBS)
36"	M022	59	M029	67	M036	74
48"	M023	71	M030	80	M037	89
60"	M024	86	M031	98	M038	109
72"	M025	100	M032	112	M039	128
84"	M026	122	M033	139	M040	156
96"	M027	133	M034	147	M041	170
108"	M027A	145	M034A	163	M041A	185
120"	M028	156	M035	178	M042	200

SOME UNITS SHIP UNASSEMBLED FOR REDUCED SHIPPING COST. ALL DIMENSIONS ARE TYPICAL. TOLERANCE +/- .500"
 John Boos & Co. is constantly engaged in a program of improving products and therefore reserves the right to change specifications without prior notice.



3601 S. Banker St. • Effingham, IL 62401 • PO BOX 609 • quotes@johnboos.com

011018



www.johnboos.com

619