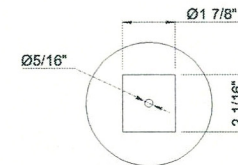
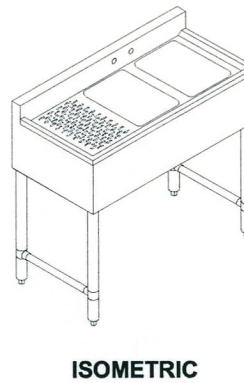
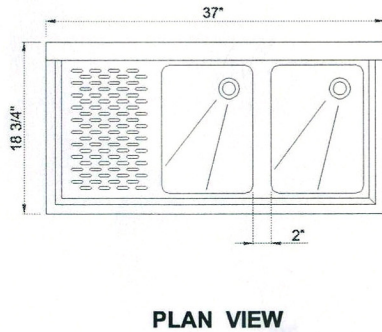
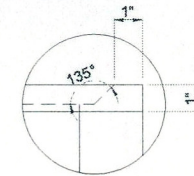


- 18 GA. STAINLESS STEEL CONSTRUCTION.
- GALV. GUSSET AND STAINLESS LEG AND STAINLESS FEET



DRAWIN FOR :	MAT. TOP :18 GA. 304 S/S BASE :	DATE	REVISIONS	KLINGER'S TRADING
REF. NO :	REQ'D/ITEM :			
ITEM NAME : Bar Sink	DATE : May / 21 / 2010			
PROD . NO. : BAR-2-DL	BY :			
SCALE: 1/2" =1'-0"	CHECKED BY :			