



Model: _____ Item #: _____ Date: _____
 Project: _____ Qty: _____ Approved By: _____

Remote Back Bar Coolers

REFRIGERATION



BR48L-BSB-LR shown with optional 1" Top & Kick Plates

Available in 48", 72", and 96"

Standard Features

| | | | | |
|----------------------|--|-----|------------|------------|
| Electrical | 115 V, 1 Phase, 60 Hz. Furnished with a terminal block inside the box for a hard wire connection (supplied by the end user). | | | |
| | Dedicated 15 Amp circuit recommended. | | | |
| | 2 Door Model: 1.0 Full Load Amps | | | |
| | 3 Door Model: 1.5 Full Load Amps 4 Door Model: 2.0 Full Load Amps | | | |
| Refrigeration | 134A expansion valve installed (standard). Optional 404 expansion available. Thermostat not included. IMPORTANT: Specify left or right side hookup. Operating Range: 30°F - 40°F | | | |
| | Case Capacity | | 48" | 72" |
| Long Neck Bottles: | | 13 | 21 | 30 |
| 12 oz. Cans | | 20 | 34 | 40 |
| Wine Bottles (each) | | 136 | 216 | 288 |
| Interior | 20 gauge stainless steel. | | | |
| | Two adjustable epoxy coated shelves with floor rack. Door opening: 29-11/16" high x 19-15/16" wide. | | | |
| Exterior | Sides: 20 gauge stainless steel or black vinyl | | | |
| | Front: 20 gauge stainless steel, black vinyl or glass | | | |
| | Back: 20 gauge galvanized steel | | | |
| | Top: 20 gauge galvanized steel with option of stainless steel. | | | |
| Insulation | Foamed-in-place polyurethane | | | |
| Plumbing | 1/2" drain connection required for condensation. Drain line connection will be on the same side as the refrigeration line location selected. A 100 V Condensate Evaporator pan may be used in place of a drain line but it is important to make sure you have a good location for it. Please consult with your refrigeration installation company and check local codes. | | | |

Optional Accessories

| | |
|---------------|---|
| BS-100 | Four 6" Stainless Steel Legs |
| BS-101 | Six 6" Stainless Steel Legs (72" & 96" Models) |
| BS-102 | Four 4" Stainless Steel Legs |
| BS-103 | Six 4" Stainless Steel Legs (72" & 96" Models) |
| BS-106 | Left Side Stainless Steel Kick Plate |
| BS-107 | Right Side Stainless Steel Kick Plate |
| BC-130 | Four 1" Ultra Low Profile Casters w/ Brakes |
| BC-131 | Six 1" Ultra Low Profile Casters w/ Brakes (72" & 96" Models) |
| BC-132 | Four 2" Low Profile Casters w/ Brakes |
| BC-133 | Six 2" Low Profile Casters w/ Brakes (72" & 96" Models) |
| BC-134 | Four 3" Casters w/ Brakes |
| BC-135 | Six 3" Casters w/ Brakes (72" & 96" Models) |
| BS-148 | 48" Stainless Steel Front Kick Plate |
| BS-172 | 72" Stainless Steel Front Kick Plate |
| BS-196 | 96" Stainless Steel Front Kick Plate |
| BS-600 | 110V Solenoid Valve + Thermostat, installed |
| BC-500 | 1/3 HP Condensing Unit (134A Refrigerant) |

This equipment is intended for the storage and display of non-potentially hazardous bottle or canned products only.



CONFORMS TO UL Std 471 & NSF STD 7



Model: _____ Item #: _____ Date: _____

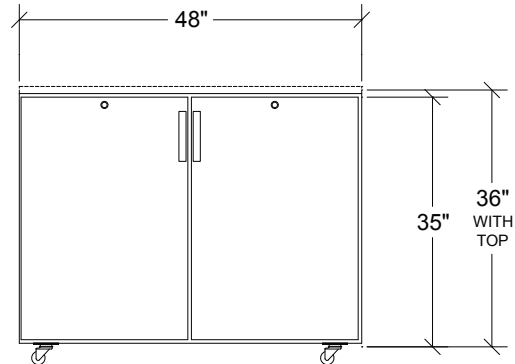
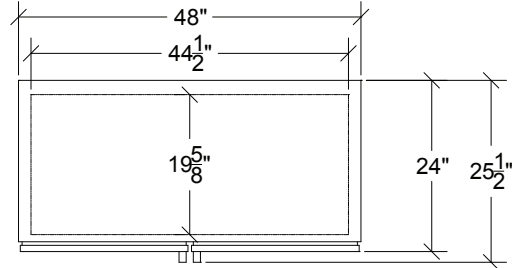
Project: _____ Qty: _____ Approved By: _____

Remote Back Bar Coolers

REFRIGERATION

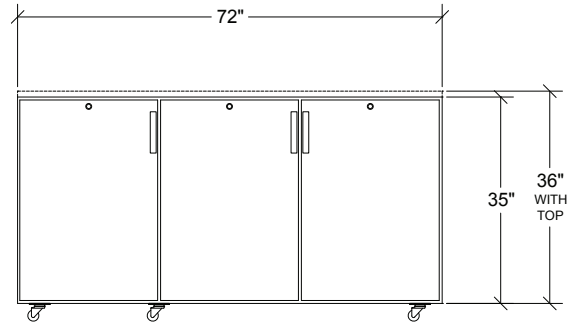
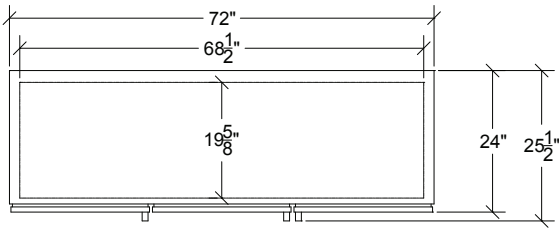
Two Door (48")

280 lbs.



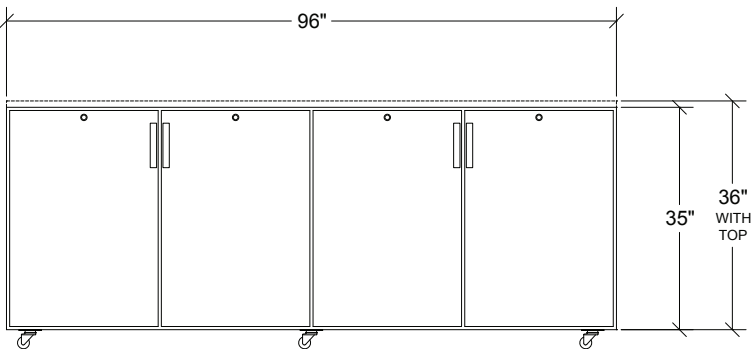
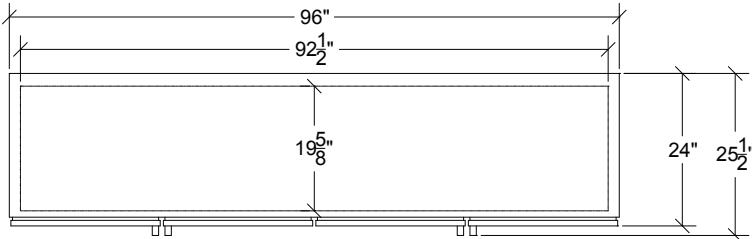
Three Door (72")

395 lbs.



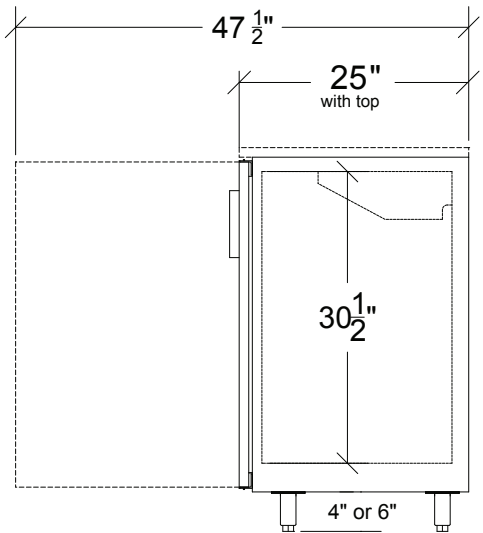
Four Door (96")

510 lbs.



Side View

All Models



NOTE: Optional casters raise height 1" higher than wheel size. Optional 4" or 6" legs available.

