



Model: \_\_\_\_\_ Item #: \_\_\_\_\_ Date: \_\_\_\_\_  
 Project: \_\_\_\_\_ Qty: \_\_\_\_\_ Approved By: \_\_\_\_\_

# Self-Contained Narrow Door Back Bar Coolers

## REFRIGERATION



### NS72L-GSB-LRR Shown

Available in 52" two door models &  
 72" three door models

Optional 1" top and kick plates

### Standard Features

<b>Electrical</b>	115 V, 1 Phase, 60 Hz. Furnished with 8'-0" plug-in cord, which exits left rear of cooler.		
	NEMA 5-15P Plug Configuration. Dedicated 15 Amp circuit recommended 2 Door Model: 4.8 Full Load Amps, 1/4 HP 3 Door Model: 4.8 Full Load Amps, 1/4 HP		
<b>Refrigeration</b>	Self-contained 1/4 HP 134A Refrigerant. 30°F-40°F operating range Digital Thermostat on front grille.		
<b>Case Capacity</b>		<b>52"</b>	<b>72"</b>
	Long Neck Bottles:	13	21
	Wine Bottles (each):	126	180
<b>Interior</b>	20 gauge stainless steel with coved corners. Two adjustable epoxy coated wire shelves with floor rack per door.		
<b>Exterior</b>	Sides: 20 gauge stainless steel or black vinyl Front: 20 gauge stainless steel, black vinyl or glass Back: 20 gauge galvanized steel Top: 20 gauge galvanized steel w/ option of stainless steel		
<b>Insulation</b>	2" thick foamed-in-place polyurethane		
<b>Plumbing</b>	No drain connection required. Condensate evaporator pan included.		

### Optional Accessories

<b>BS-100</b>	Four 6" Stainless Steel Legs
<b>BS-101</b>	Six 6" Stainless Steel Legs (72" model)
<b>BS-102</b>	Four 4" Stainless Steel Legs
<b>BS-103</b>	Six 6" Stainless Steel Legs (72" model)
<b>BS-106</b>	Left Side Stainless Steel Kick Plate
<b>BS-107</b>	Right Side Stainless Steel Kick Plate
<b>BC-130</b>	Four 1" Ultra Low Profile Casters w/ Brakes
<b>BC-131</b>	Six 1" Ultra Low Profile Casters w/ Brakes (72" model)
<b>BC-132</b>	Four 2" Low Profile Casters w/ Brakes
<b>BC-133</b>	Six 2" Low Profile Casters w/ Brakes (72" model)
<b>BC-134</b>	Four 3" Casters w/ Brakes
<b>BC-135</b>	Six 3" Casters w/ Brakes (72" model)
<b>BS-152</b>	52" Stainless Steel Front Kick Plate
<b>BS-172</b>	72" Stainless Steel Front Kick Plate

\*This equipment is intended for the storage and display of non-potentially-hazardous bottle or canned products only.\*



CONFORMS TO UL Std 471 & NSF STD 7



Model: \_\_\_\_\_ Item #: \_\_\_\_\_ Date: \_\_\_\_\_

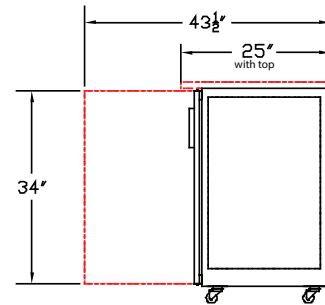
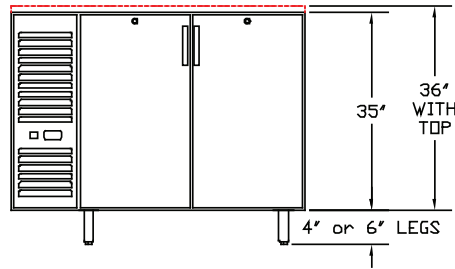
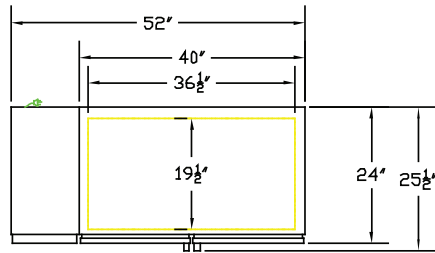
Project: \_\_\_\_\_ Qty: \_\_\_\_\_ Approved By: \_\_\_\_\_

# Self-Contained Narrow Door Back Bar Coolers

## REFRIGERATION

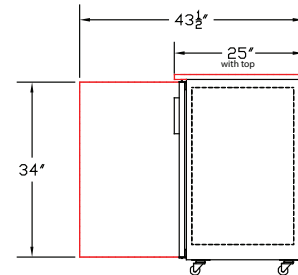
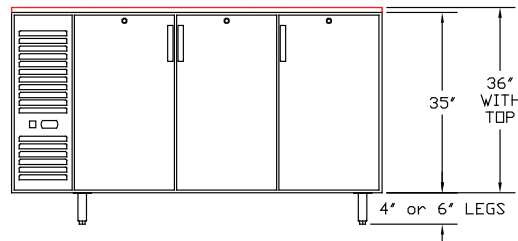
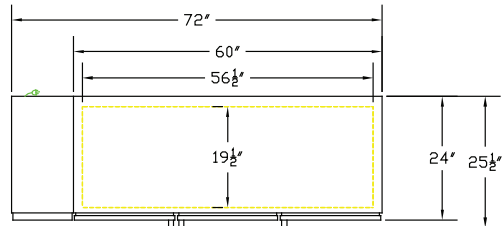
### Two door (52")

300 lbs.  
330 lbs. with Top



### Three door (72")

420 lbs.  
460 lbs. with Top



Note: Optional casters raise height 1" higher than wheel size  
Note: 4" or 6" legs available



CONFORMS TO UL Std 471 & NSF STD 7