

**E****VEGA CONDENSER HOOD**

JOB NAME: \_\_\_\_\_

ITEM NO.: \_\_\_\_\_

NO. REQUIRED: \_\_\_\_\_

**MODELS**

- Vega Condenser Hood 92-1008

**DESCRIPTION**

Condenser hood is constructed of stainless steel and is equipped with three (3) 52.4 CFM, 115v cooling fans.

Unit can be mounted on Altair II 4- and 6-pan units.

Vented steam from unit is condensed with up to 80% efficiency and drained to a collection bucket or air-gap drain.

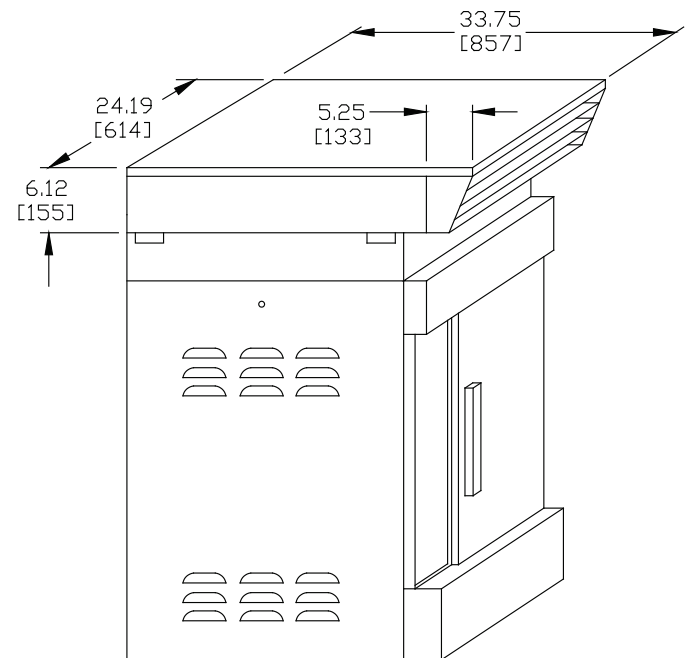
Standard features include, rigid all stainless steel construction and hose.

**DIMENSIONS**

Overall Width	24.18" (614mm)
Overall Depth	33.78" (858mm)
Overall Height + Legs	6.12" (155mm)

**SHIPPING WEIGHT**

- 90 lbs (41 kg)


**FOOD SERVICE EQUIPMENT**  
 Vega Condenser Hood

The manufacturer reserves the right to modify materials and specifications without notice.

