



Maxx Cold | The Legacy Companies
 3355 Enterprise Avenue, Suite 160, Fort Lauderdale, FL 33331
 (954) 202-7419 • Fax (954) 202-7337 • (877) 600-8401
 www.MaxximumFoodService.com • Info@MaxxColdFoodService.com

Project Name: _____
 Location: _____
 Item #: _____ Qty: _____
 Model: _____

TOP MOUNTED REACH-IN REFRIGERATORS

Model: MCRT-23FD MCRT-49FD MCRT-72FD

International Model:
 Add -50 (220V/50Hz/1Ph)

MCRT-23FD



MCRT-49FD



MCRT-72FD

Maxx Cold top mounted compressor reach-in refrigerators are built to last. Temperature is digitally controlled and easily viewed from the exterior of the cabinet. Stainless steel construction ensures years of reliable service, maximum durability and is easy to clean. Maxx Cold units are designed to meet the requirements of the most discriminating customer.

FEATURES

- Easy to grip recessed door handles
- Adjustable heavy duty wire shelves (3 per section/door)
- Four (4) or Six (6) 4" casters standard
- Open door alert, beeps when door has been open for three minutes
- Locking doors
- Automatic interior lighting
- Available in 120V/60Hz, 220V/50Hz & 230V/60Hz

TEMPERATURE

- Holding temperature: 33° to 41°F (1° to 5°C)
- Utilizes environmentally friendly refrigerant R134A
- Digitally controlled temperature system maintains optimum temperature and LED display is easily viewed from exterior
- Large evaporator and condenser for quick cooling and greater efficiency
- Automatic defrost system

CONSTRUCTION

- Durable, easy to clean stainless steel exterior and interior
- Cord set includes plug & 9.8' (3m) cord
- CFC-free Polyurethane insulated walls and doors

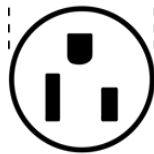
REFRIGERANT

Environmentally-friendly R-134A propane

ELECTRIC

120/60Hz/1 Ph (NEMA 5-15)
 International 220V/50Hz & 230V/60Hz models available as options

1.27" / 32 mm



NEMA 5-15P



Certified to
ANSI-NSF 7



Certified to
ANSI UL 471

Maxx Cold WARRANTY (USA / CANADA)

Three (3) years parts and on-site labor
 Five additional (5) years compressor (part only)
 Administered by The Legacy Companies, 877.368.2797
 24/7 tech support provided

Due to periodic changes in designs, methods, procedures, policies and regulations, the specifications contained in this sheet are subject to change without notice. While we exercise good faith efforts to provide information that is accurate, we are not responsible for errors or omissions in information provided or conclusions reached as a result of using the specifications. By using the information provided, the user assumes all risks in connection with such use.

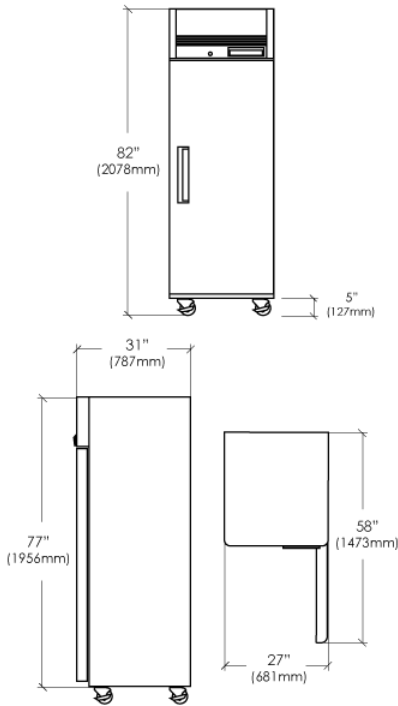
The built in performance enhancing functions ensure that given proper attention and preventative maintenance, each Maxx Product will deliver years of trouble free, reliable, low maintenance, efficient operation.



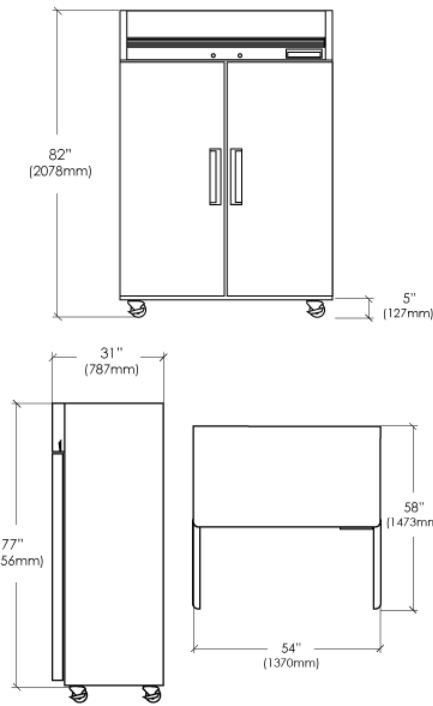
Maxx Cold | The Legacy Companies
 3355 Enterprise Avenue, Suite 160, Fort Lauderdale, FL 33331
 (954) 202-7419 • Fax (954) 202-7337 • (877) 600-8401
 www.MaxximumFoodService.com • Info@MaxxColdFoodService.com

TOP MOUNTED REACH-IN REFRIGERATORS

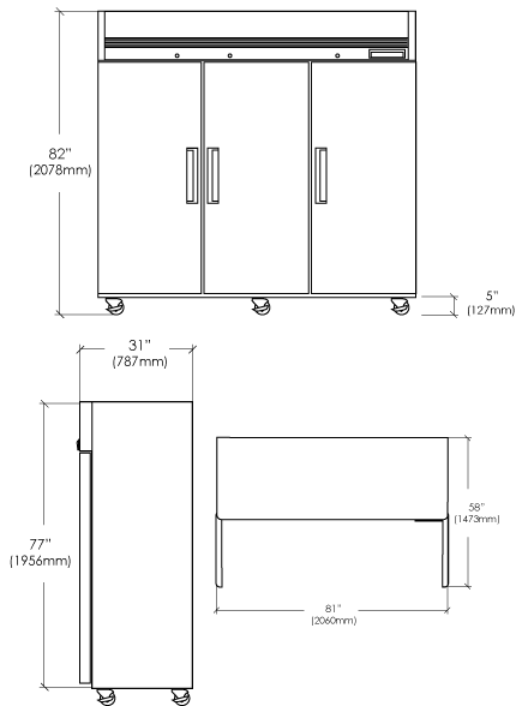
MCRT-23FD



MCRT-49FD



MCRT-72FD



*Shorter caster options are available to bring overall unit height under 80"

	Dimensions* in / mm	Capacity	Temperature Range	Voltage	Average Amp Draw	Unit Weight	Shelves
MCRT-23FD	27 x 31 x 82 681 x 787 x 2078	19 Cu Ft 541 L	33°-41° F 1°-5° C	120V/60Hz/1	0.6	264 lb 120 kg	3
MCRT-49FD	54 x 31 x 82 1370 x 787 x 2078	49 Cu Ft 1387 L	33°-41° F 1°-5° C	120V/60Hz/1	1.0	388 lb 190 kg	6
MCRT-72FD	81 x 31 x 82 2060 x 787 x 2078	72 Cu Ft 2039 L	33°-41° F 1°-5° C	120V/60Hz/1	1.65	567 lb 257 kg	9

Due to periodic changes in designs, methods, procedures, policies and regulations, the specifications contained in this sheet are subject to change without notice.
 While we exercise good faith efforts to provide information that is accurate, we are not responsible for errors or omissions in information provided or conclusions reached as a result of using the specifications.
 By using the information provided, the user assumes all risks in connection with such use.