



NOR-LAKE, INCORPORATED  
727 Second Street  
Hudson, Wisconsin 54016

800-955-5253  
715-386-2323  
866-961-5253 Parts  
800-388-5253 Service  
715-386-6149 FAX  
www.norlake.com

## GLASS DOOR MERCHANDISERS – FREEZERS, SWING DOOR



NLFGM72HB

PROJECT:

ITEM NUMBER:

MODEL NUMBER:

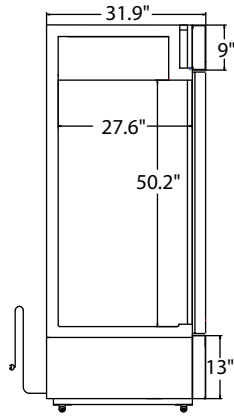
GLASS DOOR MERCHANDISERS-FREEZERS, SWING DOOR

### SPECIFICATIONS FOR: NLFGM23HB, NLFGM48HB, NLFGM72HB

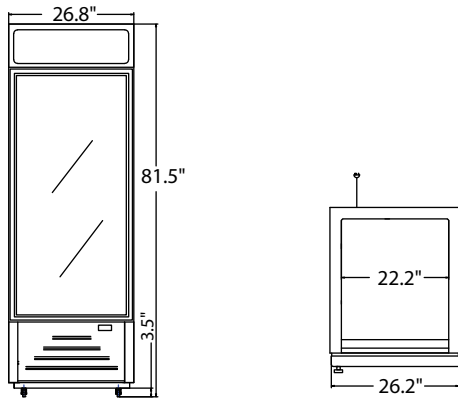
- **Finish:** Black powder coated exterior with white interior and stainless steel floor
- **Insulation:** Complete cabinet and doors are foamed-in-place with polyurethane insulation.
- **Hardware:** Four heavy duty shelves, adjustable in 1/2" increments, per door. Product label strips on shelves. Heavy duty factory-installed casters. Top LED backlit panel. Two LED light strips per door for maximum product illumination. Electronic adjustable temperature control with digital display
- **Doors:** Self-closing swing doors with lock for each door. Magnetic gaskets.
- **Electrical:** 115 volt, 60 Hz, 1 phase with cord and plug
- **Refrigeration:** Self-contained bottom mounted, air cooled refrigeration system with coated evaporator coil and automatic defrost. The condensate is collected and automatically evaporated from an energy efficient vaporizer. Refrigerant flow is controlled by a capillary tube. R290 refrigerant. Temperature range: -10°F to +10°F
- **Approvals:** ETL Sanitation and Safety listed, DOE energy compliant

### STANDARD FEATURES

- Two LED light strips per door
- LED backlit top panel
- Factory installed casters
- Magnetic door gaskets
- Self-closing doors with lock for each door
- Four heavy duty shelves with product label strips per door
- Shelves adjustable in 1/2" increments and capable of supporting 125 lbs.
- Air cooled condensing unit
- Self-contained condensate evaporator requires no plumbing
- Automatic defrost
- Electronic adjustable temp control with digital display
- ETL Sanitation and Safety Listed
- Warranties: 3 yr. parts & labor, 5 yr. compressor



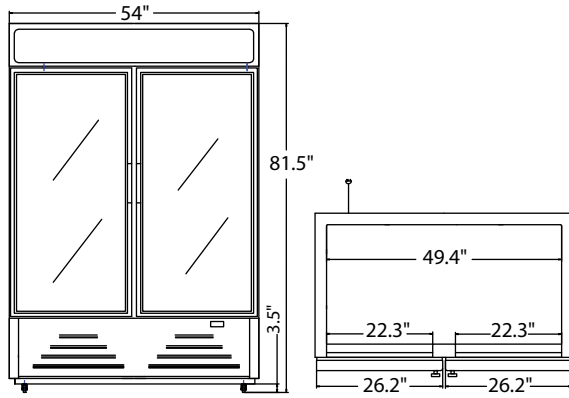
SIDE – ALL MODELS



FRONT

TOP

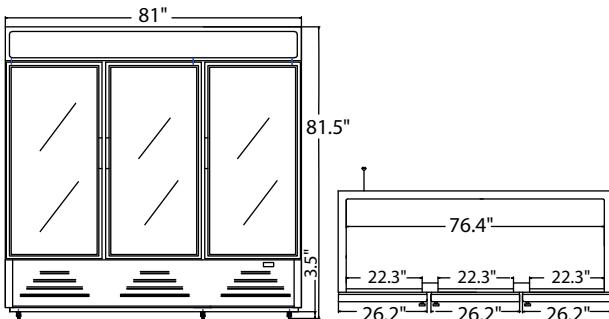
NLFGM23HB



FRONT

TOP

NLFGM48HB



FRONT

TOP

NLFGM72HB

**SPECIFICATIONS**

Models	NLFGM23HB	NLFGM48HB	NLFGM72HB
Crated Weight (lbs) (kg)	342 (155)	564 (256)	820 (372)
Crated Height (in) (cm)	84.6 (215)	84.6 (215)	84.6 (215)
Crated Width (in) (cm)	28.3 (72)	55.5 (141)	82.6 (210)
Crated Depth (in) (cm)	34.8 (89)	34.8 (89)	34.8 (89)
Interior Height (in) (cm)	50.2 (128)	50.2 (128)	50.2 (128)
Interior Width (in) (cm)	22.2 (56)	49.4 (125)	76.4 (194)
Interior Depth (in) (cm)	27.6 (70)	27.6 (70)	27.6 (70)
Overall Height (in) (cm)	81.5 (207)	81.5 (207)	81.5 (207)
Overall Width (in) (cm)	27 (69)	54 (137)	81 (206)
Overall Depth (in) (cm)	32 (81)	32 (81)	32 (81)
Gross Cubage (CuFt) (L)	23.0 (651)	49.0 (1388)	72.0 (2039)
Number of Shelves	4	8	12
Shelf Area (SqFt) (Sqm)	18.9 (1.8)	43.4 (4.0)	67.9 (6.3)
Number of Casters	4	4	6
Condensing Unit Size	1/2	1	*
Refrigerant	R290	R290	R290
Electrical Characteristics	115/60/1	115/60/1	115/60/1
Cord and Plug Furnished	Yes	Yes	Yes
NEMA Plug Configuration	5-15P	5-15P	5-15P
Total Amp Draw	8.0	9.0	*

\*Consult factory.

Specifications subject to change without notice.



Revision Date: 1/19  
Part Number: 161754