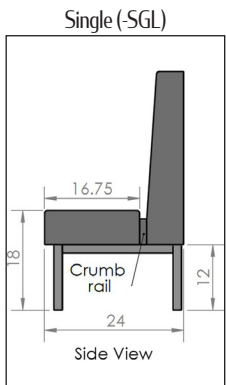


255 Welter Drive
Monticello, IA 52310

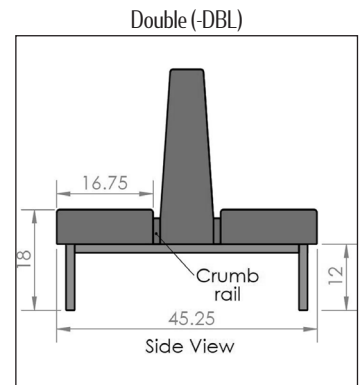


P: 877.465.4344
F: 877.465.4042
www.oakstreetmfg.com

PACIFIC (PAC) OUTDOOR VINYL/UPHOLSTERED BOOTHS



Foggy Morning (-FM)



Ocean Night (-ON)



Sandy Beach (-SNDB)



Silk (-SLK)



Tier 1 (-T1) [specify]



Tier 2 (-T2) [specify]

- Top stitched seams with updated pillow back.
- Standard heights are 42" & 36"; Standard lengths are: 24", 30", 44", 48", 60", 72", 84" & 96".
- 1.5" square 16 gauge unitized steel frame with exterior powder coating provides superior strength & modern appearance.
- 2" non-marring metalpoly glides.
- Available in Singles, Doubles, Banquettes (over 96"), L-Shape, U-Shape & Corner.
- Marine-grade vinyl with exterior-grade plywood core & closed-cell foam.
- Tier 1 includes Spradling Seabreeze, Beluga & Zander marine vinyls [specify].
- Tier 2 and above pricing of other exterior vinyl available - including Sunbrella outdoor upholstery [call for quote].

- Consistent seat back framing from single to double booths - without a concave wood back & thin layer of foam. Our backs are straight with extra thick foam contoured to the specific shape needed for extra cushion.
- Independent base disperses stress on seat back.
- NOT suitable for oceanside or poolside applications.



No springs to break, sag or squeak. Our seats have fully sculpted, springless foam.



Both booth ends are finished for endless room reconfiguration possibilities.



Independent seat backs are bolted, not glued or stapled to base - adding strength & durability.



Slip sheets over seat foam allow vinyl or upholstery to recover after use - reducing wear.



Our frame is more durable than competitors. 48+ screws are used in assembly.