



Item: \_\_\_\_\_

Quantity: \_\_\_\_\_

Project: \_\_\_\_\_

# Electric Convection Oven - Standard Depth

Models:  RECO-1     RECO-2



### Voltage:

- 208 - 1 Phase     208 - 3 Phase
- 240 - 1 Phase     240 - 3 Phase

### Options and Accessories

- Stainless steel bottom shelf (RECO-1 Only)
- Stacking kit to stack two single deck units (includes 6" legs)
- 5" swivel casters (set of four - 2 locking)
- Extra oven racks (Qty: \_\_\_\_\_)
- Glass view door for left side (right is standard)
- Pan rack (RECO-1 Only)
- 480 Voltage - 3 Phase
- Moisture injection

### Standard Features

- Accommodates full size sheet pans side to side
- 3 heating elements for a total of 9 KW power
- Electric thermostat adjustable from 150°-500° F
- Two speed motor
- Cool touch controls set back for protection
- Glass window in the right hand door
- Two interior lights
- Oven interior is porcelain coated for easy cleaning
- Doors feature 3 brass bushings per door hinge for perfect door alignment
- Oven doors swing open 135° for easier access for loading and removing pans
- 5 Chrome plated racks standard with 11 positions
- All S/S front, sides, and top construction
- Oven interior useable space: 29" W x 22½" D x 24" H
- One year limited warranty, parts and labor



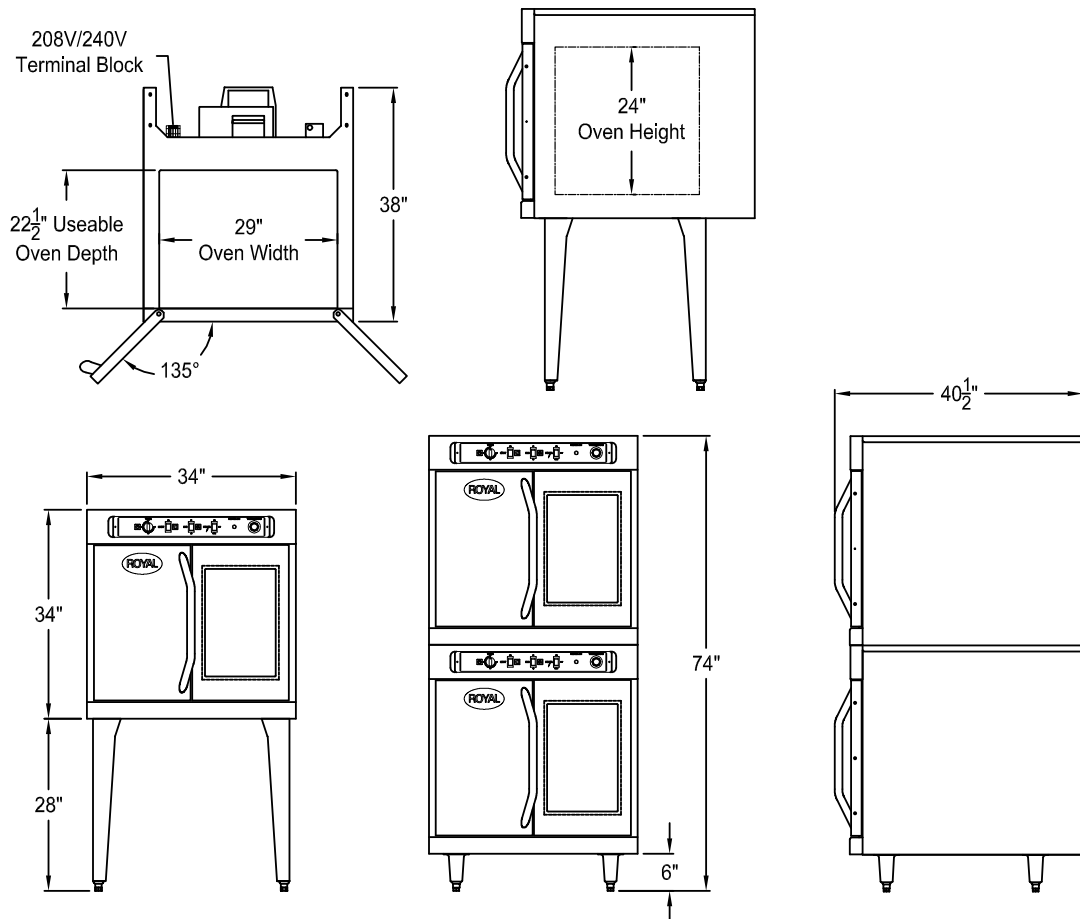
Intertek Intertek

Electric Convection Oven - Standard Depth

**Royal Range of California, Inc.**  
 3245 Corridor Dr. • Eastvale, CA 91752 • (800) 769-2414 • (951) 360-1600  
 Fax: (951) 360-7500 • www.royalranges.com • sales@royalranges.com



# Electric Convection Oven - Standard Depth



Model Number	Total KW	Ship Weight
RECO-1	9	495 lbs.
RECO-2	18	940 lbs.

Electrical: Two speed motor (1725/1140 rpm) 230V, 50/60 Hz, 1/2 HP  
Terminal block for power cord connection with ground lug.

## Heating Elements:

Voltage (V)	Phase	Total KW	Current (Amps)
208	1	9	45
208	3	9	L1-26, L2-25, L3-25
240	1	9	39
240	3	9	L1-23, L2-22, L3-22
480	3	9	L1-12, L2-11, L3-11

## Clearances:

	Combustible	Non-Combustible
Rear	0"	0"
Sides	0"	0"

Due to continuing product development to ensure best possible performance, these specifications are subject to change without prior notification.

**Royal Range of California, Inc.**  
3245 Corridor Dr. • Eastvale, CA 91752 • (800) 769-2414 • (951) 360-1600  
Fax: (951) 360-7500 • www.royalranges.com • sales@royalranges.com