



Item: \_\_\_\_\_

Quantity: \_\_\_\_\_

Project: \_\_\_\_\_

Range Match Spreader

# Range Match Spreader

Models:  RR-12SPR     RR-18SPR     RR-24SPR     RR-36SPR



## Standard Features

- Stainless steel work surface spreader
- Stainless steel front and sides including backguard and high shelf
- 6" legs
- Cabinet door

## Options and Accessories

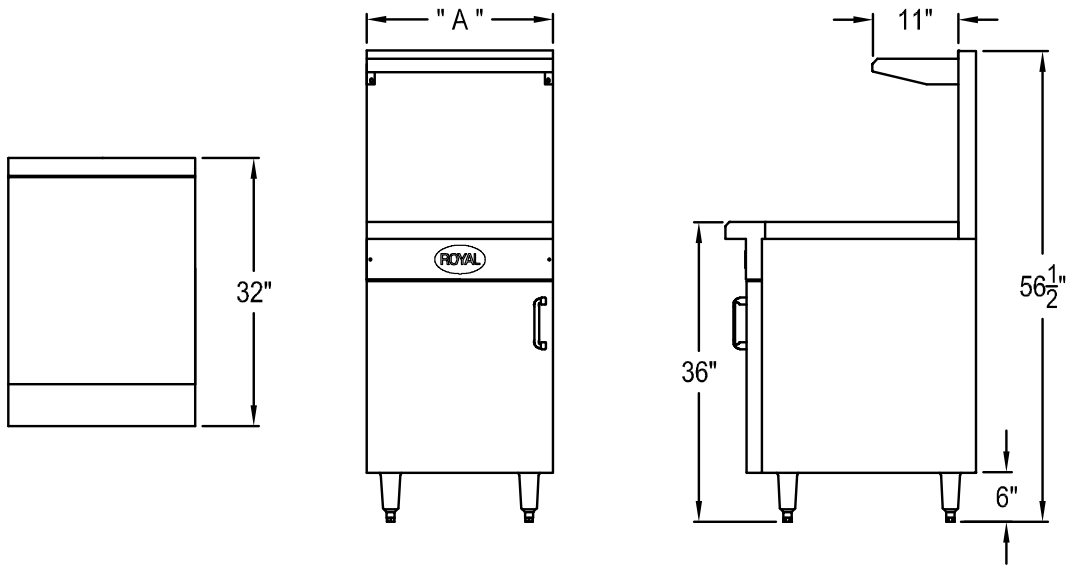
- 5" swivel casters (set of four - 2 locking)
- 6" high stub back in lieu of high shelf
- Intermediate shelf in cabinet



**Royal Range of California, Inc.**  
 3245 Corridor Dr. • Eastvale, CA 91752 • (800) 769-2414 • (951) 360-1600  
 Fax: (951) 360-7500 • www.royalranges.com • sales@royalranges.com



# Range Match Spreader



Model Number	Width (A)	Ship Weight
RR-12SPR	12"	150 lbs.
RR-18SPR	18"	160 lbs.
RR-24SPR	24"	195 lbs.
RR-36SPR	36"	210 lbs.

Due to continuing product development to ensure best possible performance, these specifications are subject to change without prior notification.

**Royal Range of California, Inc.**  
 3245 Corridor Dr. • Eastvale, CA 91752 • (800) 769-2414 • (951) 360-1600  
 Fax: (951) 360-7500 • www.royalranges.com • sales@royalranges.com