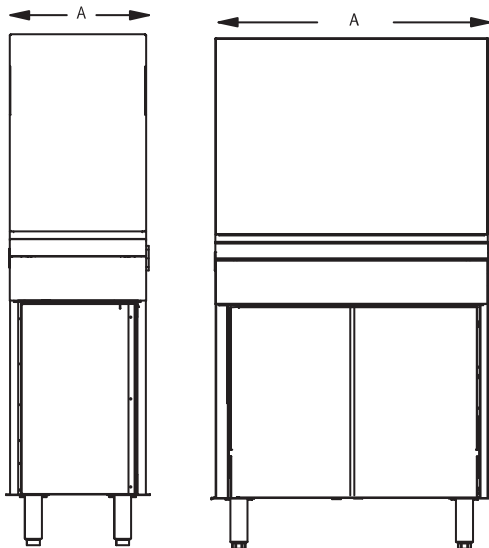
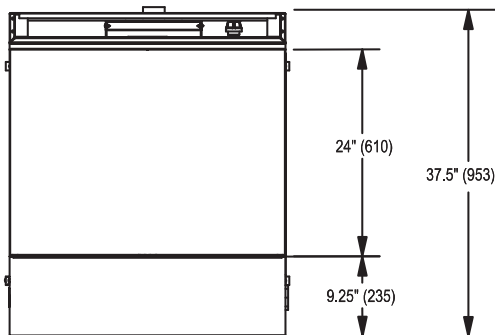
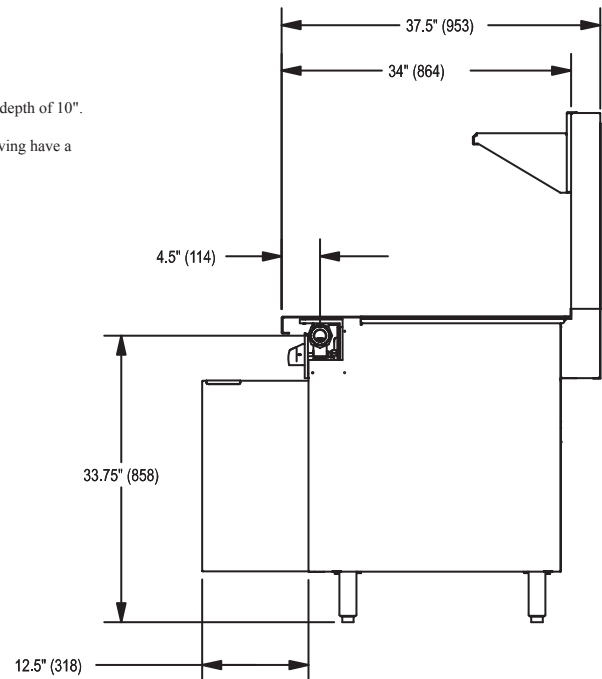


Solid shelving has a depth of 10".  
 Tubed and Tray shelving have a depth of 11-1/8".



Job \_\_\_\_\_  
 Item# \_\_\_\_\_

Models	Width A	Depth	Height	Crate Size			Crated Volume	Crated Weight
				Width	Height	Depth		
P12N-S	12" (305)	37.5" (953)	13.5" (343)	20" (508)	21" (534)	42.5" (1080)	10.3 cu ft (0.29 cu m)	100 lb (45 kg)
P12C-S	12" (305)	37.5" (953)	41" (1041)	20" (508)	45" (1144)	42.5" (1080)	22.1 cu ft (0.63 cu m)	121 lb (54 kg)
P16N-S	16" (406)	37.5" (953)	13.5" (343)	20" (508)	21" (534)	42.5" (1080)	10.3 cu ft (0.29 cu m)	110 lb (49 kg)
P16C-S	16" (406)	37.5" (953)	41" (1041)	20" (508)	45" (1144)	42.5" (1080)	22.1 cu ft (0.63 cu m)	131 lb (60 kg)
P18N-S	18" (406)	37.5" (953)	13.5" (343)	20" (508)	21" (534)	42.5" (1080)	10.3 cu ft (0.29 cu m)	120 lb (55 kg)
P18C-S	18" (406)	37.5" (953)	41" (1041)	20" (508)	45" (1144)	42.5" (1080)	22.1 cu ft (0.63 cu m)	141 lb (64 kg)
P24N-SS	24" (610)	37.5" (953)	13.5" (343)	39" (991)	21" (534)	44" (1118)	23.5 cu ft (.67 cu m)	150 lb (68 kg)
P24C-SS	24" (610)	37.5" (953)	41" (1041)	39" (991)	42.5" (1080)	44" (1118)	42.2 cu ft (1.2 cu m)	180 lb (81 kg)
P32N-SS	32" (812)	37.5" (953)	13.5" (343)	39" (991)	21" (534)	44" (1118)	23.5 cu ft (.67 cu m)	185 lb (83 kg)
P32C-SS	32" (812)	37.5" (953)	41" (1041)	39" (991)	42.5" (1080)	44" (1118)	42.2 cu ft (1.2 cu m)	220 lb (99 kg)
P36N-SS	36" (914)	37.5" (953)	13.5" (343)	45.5" (1156)	23" (584)	55" (1397)	33.3 cu ft (0.95 cu m)	220 lb (99 kg)
P36C-SS	36" (914)	37.5" (953)	41" (1041)	45.5" (1156)	45" (1143)	55" (1397)	65.2 cu ft (1.85 cu m)	260 lb (117 kg)