



# 24" SECTIONAL RANGE

## Four 33,000 BTU Open-Top Burners

# Platinum

- P24N-BB (Modular Mount)
- P24N-BB-SU (Modular Mount with Step-Up Rear Burners)
- P24C-BB (Cabinet Base)
- P24C-BB-SU (Cabinet Base with Step-Up Rear Burners)

Job  
Item#

### Standard Features

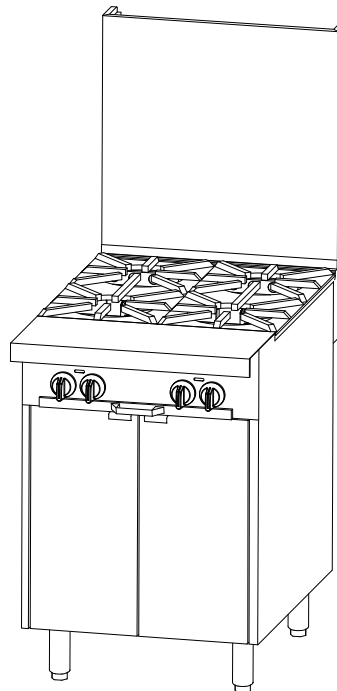
- Standard (2) years limited parts and labor warranty (reference <http://www.southbendnc.com/service.html> for limited warranty details).
- 24" wide sectional range with four open-top burners available with a cabinet base or as a modular unit (for mounting on countertop, refrigerated or freezer base).
- Four 35,000 BTU NAT (35,000 BTU LP) patented clog-free burners
- Removable, welded steel top grates
- 9-1/4" deep front rail
- Removable drip tray
- Stainless steel front, sides, rear and exterior bottom
- Fully insulated lining and burner box
- 1-1/4" front gas manifold and 1" rear gas connection
- 5" high stainless steel flue riser
- Free battery-design assistance

### Standard Features of Cabinet-Base Models

- Stainless steel cabinet base with two removable doors that open from the center.

### Standard Features of Step-Up Models

- Rear burners are 4" higher than front burners



Model P24C-BB with optional 24" flue riser

### STANDARD CONSTRUCTION SPECIFICATIONS

**Exterior Finish:** Front, sides, rear and exterior bottom constructed of #3 polished 430 and 304 stainless steel.

**Range:** 24"-wide front-manifold sectional range with four 35,000 BTU NAT (35,000 BTU LP) clog-free, open-top burners with removable, welded steel top grates.

**Front Rail:** 9-1/4" deep front rail.

**Flue Riser:** 5" high stainless steel flue riser

**Battery:** Unit can be in any position in a battery. If the unit is at the end of the battery, the end side will be solid (rather than have a coverplate over the end of the front manifold).

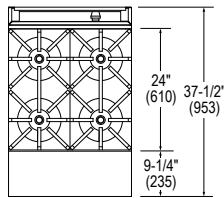
**Legs:** 6" stainless steel adjustable legs standard.

**Model 24C:** Stainless steel cabinet base with two removable doors that open from the center.

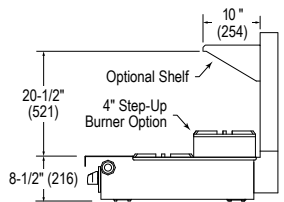
**Step-Up Rear Burner Models:** The rear-burner is 4" higher than the front burner.



Models:  P24N-BB  P24N-BB-SU  P24C-BB  P24C-BB-SU



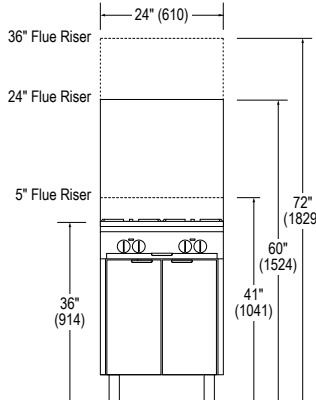
TOP VIEW



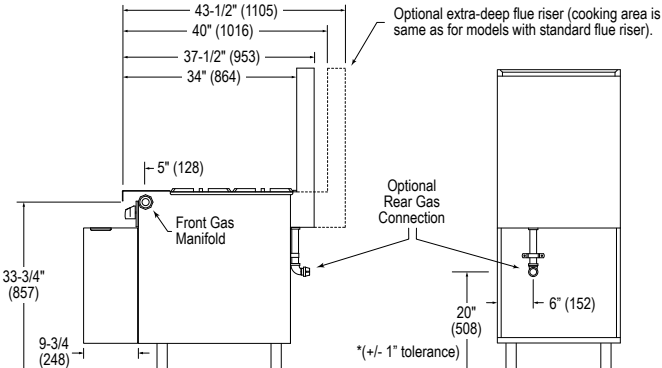
SIDE VIEW of MODULAR MODEL

SHIPPING CRATE DIMENSIONS & WEIGHT					
MODEL	WIDTH	HEIGHT	DEPTH	VOLUME	WEIGHT
P24N-BB P24N-BB-SU	39" (991)	21" (533)	44" (1118)	20.9 cu ft (0.59 cu m)	260 lbs (117.9 kg)
P24C-BB P24C-BB-SU	39" (991)	45" (1143)	44" (1118)	44.7 cu ft (1.27 cu m)	400 lbs (181.4 kg)

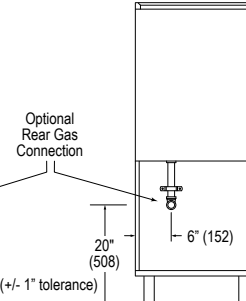
Dimensions shown in inches and (millimeters)



FRONT VIEW



SIDE VIEW



REAR VIEW

### UTILITY INFORMATION

MODEL	GAS (BTU/HOUR)	
	NATURAL	PROPANE
P24N-BB P24N-BB-SU	140,000	140,000
P24C-BB P24C-BB-SU	140,000	140,000

**GAS:** Each unit has a 1-1/4" front manifold that couples to the adjacent sectional unit(s), and a 1" rear gas connection with a male NPT connector. Minimum gas supply pressure is 7" W.C. for natural gas and 11" W.C. for propane. All sectional units require a regulated gas supply (a pressure regulator must be ordered separately). If using a flexible-hose gas connection, the inside diameter of the hose must not be smaller than the connector on the unit and must comply with ANSI Z21.69, providing an adequate means of restraint to prevent undue strain on the gas connection.

### MISCELLANEOUS

- If casters are used with a flexible-hose gas connection, a restraining device should be used to prevent undue strain on the hose.
- Minimum clearance from noncombustible construction is zero. Minimum clearance from combustible construction is 10" (254 mm) on sides and 6" (152 mm) on rear.
- Installation under a vented hood is recommended.
- Check local codes for fire and sanitary regulations.

#### NOTICE:

Southbend has a policy of continuous product research and improvement. We reserve the right to change specifications and product design without notice. Such revisions do not entitle the buyer to corresponding changes, improvements, additions or replacements for previously purchased equipment.

### OPTIONS and ACCESSORIES

- External pressure regulator
- Casters (front two casters lock)
- Tray or tubular shelves (12" deep)
- Front rail options:
  - Cutouts in front rail for sauce pans
  - Cable restraint kit (to restrict movement when on casters)
  - Open-frame base with casters for battery
  - 7-1/4" deep front rail (to match old style sectional)
  - 24" or 36" high flue riser
  - Extra-deep rear-extending flue riser
  - Square belly bar mounted on 7-1/4" deep front rail
  - Shelves on flue riser (one on 24" flue riser, one or two on 36" flue riser, 10" deep)
  - Removable shelf inside cabinet
  - Removable, cast iron grate tops
  - Battery spark ignition

**INTENDED FOR COMMERCIAL USE ONLY.  
NOT FOR HOUSEHOLD USE.**



1100 Old Honeycutt Road, Fuquay-Varina, NC 27526  
(919) 762-1000 www.southbendnc.com