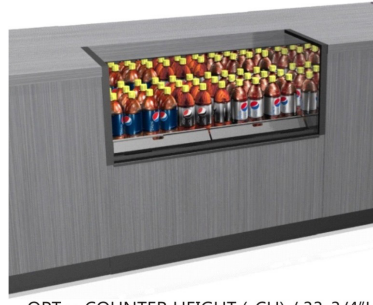


### Refrigerated Self-Service Counter Case



STD = FREESTANDING (-FS) / 33-3/4"H



OPT = COUNTER HEIGHT (-CH) / 33-3/4"H



OPT = UNDERCOUNTER HEIGHT (-UC) / 32-3/4"H

Conforms to NSF STD 7  
**TYPE II**

- CO33R
- CO43R
- CO53R
- CO63R

Lengths include end panels  
 36-1/4"L x 32-3/8"D x 33-3/4"H  
 47-1/4"L x 32-3/8"D x 33-3/4"H  
 59-1/4"L x 32-3/8"D x 33-3/4"H  
 71-1/4"L x 32-3/8"D x 33-3/4"H

#### STANDARD FEATURES

- NOTE: ADD SUFFIX TO MODEL # LISTED ABOVE BASED ON MODEL CONFIGURATION CHOSEN BELOW
- Breeze~E (Type-II) w/ EnergyWise s/c refrigeration (rear access)
- Blue Fin coated coil
- Casters (non-locking) w/ levelers
- Compressor air rear intake, front discharge at toe kick. Front and rear panels cannot be blocked. Must remain 4" from wall
- Condensate pan (self-contained refrig. only)
- Flat front panel
- Integrated average product temperature of 40°F or less
- LED 3500K top light(s)
- One piece formed ABS plastic tub
- One year parts & labor; 5 year compressor warranty
- Removable deck pans provide complete access to evaporator coil & refrigeration connections
- Toe kick, black

Features	Standard	Options
<b>MODEL CONFIGURATION</b>	<input type="checkbox"/> Freestanding (-FS) Counter ht. 33-3/4"H; freestanding unit w/2 end panels. Top & front panels positioned between end panels	<input type="checkbox"/> Counter height (-CH) Counter ht. 33-3/4"H; Top & front panels extended over end panels to blend w/adj. counters (supplied by others) <input type="checkbox"/> Undercounter height (-UC) Undercounter ht. 32-3/4"H; front panel extends over end panels to blend w/adj. counters (supplied by others). Counter surface (supplied by others) extends over top of unit
<b>EXTERIOR COLOR</b>	<input type="checkbox"/> Laminated (non-premium) Confirm pattern/grain direction	<input type="checkbox"/> Laminated (premium) Confirm pattern/grain direction <input type="checkbox"/> Stainless steel exterior
<b>INTERIOR COLOR</b>	<input type="checkbox"/> Black interior	<input type="checkbox"/> Stainless steel interior
<b>END PANEL LEFT</b>	<input type="checkbox"/> Square full end panel w/mirror	<input type="checkbox"/> Curved end panel w/mirror (-FS model only) <input type="checkbox"/> No end panel w/ synchronized defrost
<b>END PANEL RIGHT</b>	<input type="checkbox"/> Square full end panel w/mirror	<input type="checkbox"/> Curved end panel w/mirror (-FS model only) <input type="checkbox"/> No end panel w/ synchronized defrost
<b>EXTERIOR BACK PANEL</b>	<input type="checkbox"/> Solid back panel, black	<input type="checkbox"/> Solid back panel, stainless steel <input type="checkbox"/> Solid rear flip-down door(s) w/ lock
<b>ELECTRICAL CONNECT</b>	<input type="checkbox"/> 6' straight blade power cord (self-cont.)	<input type="checkbox"/> 6' locking power cord (self-cont.) <input type="checkbox"/> Electrical leads (remote)
<b>REFRIGERATION</b>	<input type="checkbox"/> Breeze~E (Type-II) w/ EnergyWise s/c refrigeration (rear access)	<input type="checkbox"/> Breeze~E (Type-II) w/ EnergyWise s/c refrigeration (front access) <input type="checkbox"/> Note: Remote doesn't incl Conds unit. Floor drain reqd. <input type="checkbox"/> 1 Remote w/thermostat, solenoid & TXV (front access) <input type="checkbox"/> 2 Remote w/thermostat, solenoid & TXV (rear access)
<b>MISCELLANEOUS</b>		<input type="checkbox"/> Second year parts & labor warranty (excludes compressor)
<b>ACCESSORIES</b>		<input type="checkbox"/> 2"H Full depth display riser(s) for lower display <input type="checkbox"/> Clean Sweep® coil cleaner (n/a w/remote) <input type="checkbox"/> Night curtain, retractable, non-locking <input type="checkbox"/> Solid security cover, removable, locking

**Option Notes:** 1 - See tech spec for remote load reqmts  
 2 - See tech spec for remote load reqmts

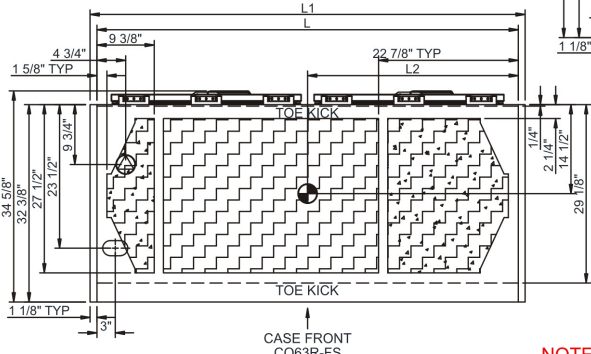
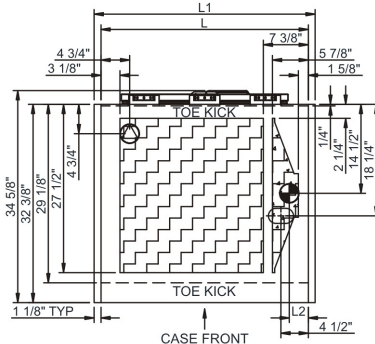
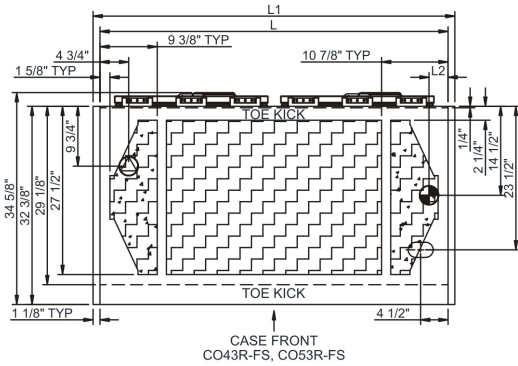
# Oasis®

## Product Specifications

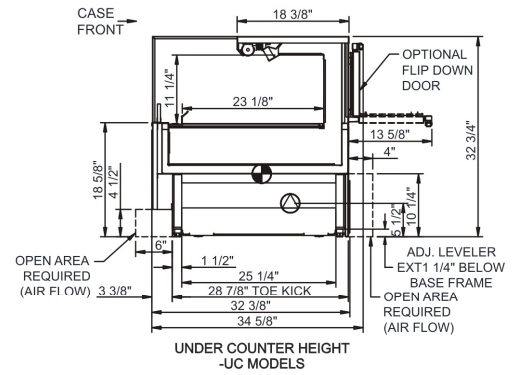
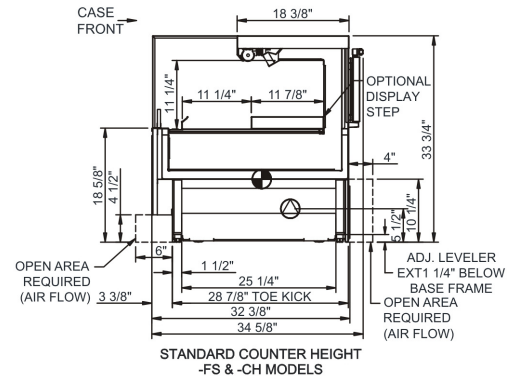
**Intended Environment:** Type II - Designed to operate in ambient conditions of 80°F and 60% relative humidity unless noted otherwise in system information below.

Zone	Intended Product To Be Displayed	Warmest Avg Prod Temp ° F
1	Packaged refrigerated products	40

**PLAN VIEW**



**SIDE VIEW**



**NOTE: ALL DIMENSIONS APPROXIMATE**

- ELECTRICAL JUNCTION BOX (SUPPLIED WITH 6\"/>
- LOCATION OF DRAIN TUBE FOR REMOTE REF. ONLY (SUPPLIED WITH 3/4\"/>

- REFRIGERATION LINE CONNECTION.
- REMOTE FLOOR SINK & UTILITIES ACCESS AREA.

- SELF-CONTAINED CASE SERVICE ACCESS AREA.
- DRY CASE SERVICE ACCESS AREA.

**Model Technical Specifications**

Model	L"	L1"	L2"	System	Circuit	Volts	Phs	Freq	Amps ***	Watts	Wires	NEMA Plug	SST	Conv. Rack BTUH	Para. Rack BTUH	Est Wt
CO33R	N/A	36.25	3.13	Remote(Type I)	Circuit #1	110-120	1	60	1.12	36	2+G	Leads Multiple	20.00	1426	1320	650
				Remote(Type II)	Circuit #1	110-120	1	60	1.12	42	2+G	Leads Multiple	20.00	1706	1580	
				Self-Contained	Circuit #1	110-120	1	60	11.98	1,050	2+G	5-15P or L5-15P	N/A	N/A	N/A	
CO43R	N/A	47.25	3.13	Remote(Type I)	Circuit #1	110-120	1	60	1.14	40	2+G	Leads Multiple	20.00	1620	1500	700
				Remote(Type I)	Circuit #1	110-120	1	60	1.14	36	2+G	Leads Multiple	20.00	1620	1500	
				Remote(Type II)	Circuit #1	110-120	1	60	1.14	40	2+G	Leads Multiple	20.00	1922	1780	
CO53R	N/A	59.25	3.13	Self-Contained	Circuit #1	110-120	1	60	12.00	1,053	2+G	5-15P or L5-15P	N/A	N/A	N/A	750
				Remote(Type I)	Circuit #1	110-120	1	60	1.22	52	2+G	Leads Multiple	20.00	2052	1900	
				Remote(Type I)	Circuit #1	110-120	1	60	1.22	47	2+G	Leads Multiple	20.00	2052	1900	
CO63R	N/A	71.25	34.50	Remote(Type II)	Circuit #1	110-120	1	60	1.22	52	2+G	Leads Multiple	20.00	2419	2240	850
				Self-Contained	Circuit #1	110-120	1	60	15.56	1,318	2+G	5-20P or L5-20P	N/A	N/A	N/A	
				Remote(Type I)	Circuit #1	110-120	1	60	1.56	75	2+G	Leads Multiple	20.00	2527	2340	
				Remote(Type II)	Circuit #1	110-120	1	60	1.56	75	2+G	Leads Multiple	20.00	2981	2760	
				Self-Contained	Circuit #1	110-120	1	60	16.00	1,355	2+G	5-20P or L5-20P	N/A	N/A	N/A	

\*\*\* Does not include electric defrost on freezer models.

**Regulatory Approvals:**

All Models  
 Accordance with AHRI Std 1200  
 ETL Listed to UL 471  
 ETL Listed to CAN/CSA 22.2 No. 120  
 ETL Sanitation to NSF 7



In Accordance with  
**AHRI Std 1200**

**DOE 2017**  
 Energy Efficiency  
 Compliant

**Important Notes:**

- 1) ELECTRICAL NOTE: If GFCI is required, a GFCI breaker MUST be used in lieu of a GFCI receptacle
- 2) 33" Minimum entry door clearance required (w/out shipping skid)
- 3) Performance issues (product temperatures, water on floor, etc.) caused by adverse conditions are not covered by warranty.
- 4) Keep unit at least 15' from exterior doors, overhead HVAC vents, or any air curtain disruption.
- 5) Do not expose unit to direct sunlight or any heat source (ovens, fryers, etc.).

**⚠ WARNING:** This product can expose you to chemicals, including Urethane (Ethyl Carbamate), which are known to the State of California to cause cancer and birth defects or other reproductive harm. For more information go to [www.P65Warnings.ca.gov](http://www.P65Warnings.ca.gov).



888 E. Porter Rd.  
 Muskegon, MI 49441  
 Ph. 231-798-8888  
 Fx. 231-798-4960  
[www.structuralconcepts.com](http://www.structuralconcepts.com)

**Note: Information is subject to change at any time.**  
 Visit [www.structuralconcepts.com](http://www.structuralconcepts.com) for the most current specs.

Revised 10/8/2019

20030431